

PARTS CATALOG

iR2016/2016J/2020/2020J

Canon

Oct 12 2005

PREFACE

This Parts Catalog contains listings of parts used

Diagrams are provided with the listings to aid the service technician in identifying clearly, the item to be ordered.

Whenever ordering parts, consult this Parts Catalog for all of the information pertaining to each item. Be sure to include, in the Parts Request, the full item description, the item part number, and the quantity.

COPYRIGHT (C) 1999 CANON INC.

Use of this manual should be strictly supervised to avoid disclosure of confidential information.

Contents

NUMERICAL INDEX

iR2016/2016J/2020/2020J 1-1

iR2016/2016J/2020/2020J

A	ASSEMBLY LOCATION DIAGRAM	2-1
001	ACCESSORIES	2-4
100	EXTERNAL COVERS, PANELS, ETC.	2-6
101	MACHINE FRONT PLATE	2-9
102	INTERNAL COMPONENTS 1	2-11
103	INTERNAL COMPONENTS 2	2-14
104	MACHINE REAR PLATE	2-17
140	LFET DOOR ASSEMBLY	2-20
141	PAPER FEEDER FRAME ASSEMBLY	2-23
210	READER ASSEMBLY	2-25
250	MAIN DRIVE ASSEMBLY	2-30
280	FIXING DRIVE ASSEMBLY	2-32
300	CASSETTE	2-34
310	CASSETTE FEEDER ASSEMBLY	2-36
311	PAPER PICK-UP ASSEMBLY	2-38
312	CASSETTE FEEDER ASSEMBLY(iR2020/2020J)	2-41
313	PAPER PICK-UP ASSEMBLY(iR2020/2020J)	2-44
315	MULTI FEED TRAY ASSEMBLY	2-47
350	PAPER DELIVERY ASSEMBLY	2-49
640	DEVELOPING ASSEMBLY	2-51
810	FIXING ASSEMBLY	2-53
900	IMAGE PROCESSOR PCB ASSEMBLY	2-56
930	HVT PCB ASSEMBLY	2-58

NUMERICAL INDEX

iR2016/2016J/2020/2020J

PARTS NUMBER	FIGURE & KEY NO.	PARTS NUMBER	FIGURE & KEY NO.	PARTS NUMBER	FIGURE & KEY NO.
FA3-8727-000	103 - 19	FB6-1660-000	313 - 21	FC6-4202-000	640 - 17
FA3-8727-000	810 - 36	FB6-1722-000	104 - 1	FC6-4205-000	103 - 43
FA4-1159-000	103 - 51	FB6-1902-000	311 - 19	FC6-4209-000	140 - 9
FA9-2112-000	103 - 11	FB6-1902-000	313 - 30	FC6-4210-000	140 - 10
FA9-3870-000	100 - 27	FB6-1905-000	313 - 22	FC6-4211-000	140 - 11
FB4-5532-000	310 - 1	FB6-1908-000	311 - 20	FC6-4215-000	315 - 1
FB4-5532-000	312 - 2	FB6-1908-000	313 - 31	FC6-4218-000	315 - 2
FB4-5671-000	312 - 12	FB6-1909-000	311 - 5	FC6-4219-000	315 - 3
FB4-5672-000	313 - 1	FB6-1909-000	313 - 23	FC6-4220-000	315 - 4
FB4-5673-000	313 - 2	FB6-1910-000	310 - 5	FC6-4221-000	315 - 5
FB4-5808-020	300 - 18	FB6-1910-000	312 - 7	FC6-4222-000	315 - 6
FB4-5809-020	300 - 9	FB6-1913-000	312 - 9	FC6-4223-000	315 - 7
FB4-5810-000	300 - 11	FB6-1920-000	312 - 14	FC6-4224-000	140 - 12
FB4-5813-020	300 - 10	FB6-1996-000	312 - 15	FC6-4226-000	140 - 13
FB4-5814-000	300 - 1	FB6-1997-000	312 - 16	FC6-4227-000	140 - 14
FB4-5824-000	300 - 19	FB6-2000-000	300 - 4	FC6-4232-000	140 - 15
FB4-6032-000	313 - 3	FB6-6896-000	640 - 24	FC6-4233-000	140 - 16
FB4-6033-000	313 - 4	FB6-7091-000	810 - 39	FC6-4234-000	140 - 17
FB4-6034-000	313 - 5	FC5-0543-000	140 - 24	FC6-4235-000	102 - 1
FB4-9817-030	311 - 25	FC5-0792-000	210 - 12	FC6-4236-000	102 - 2
FB4-9817-030	313 - 39	FC5-1280-000	100 - 2	FC6-4238-000	140 - 18
FB6-1336-000	210 - 48	FC5-1444-000	210 - 13	FC6-4239-000	140 - 19
FB6-1337-000	210 - 49	FC5-4847-000	350 - 1	FC6-4244-000	102 - 25
FB6-1536-000	312 - 13	FC5-4860-000	810 - 1	FC6-4245-000	103 - 44
FB6-1541-000	313 - 33	FC5-5297-000	810 - 2	FC6-4259-000	100 - 3
FB6-1550-000	311 - 1	FC5-6805-000	810 - 22	FC6-4260-000	100 - 4
FB6-1550-000	313 - 6	FC6-4113-000	101 - 1	FC6-4261-000	100 - 5
FB6-1551-000	313 - 7	FC6-4114-000	101 - 14	FC6-4262-000	100 - 6
FB6-1608-000	310 - 2	FC6-4115-000	101 - 15	FC6-4264-000	100 - 8
FB6-1608-000	312 - 3	FC6-4116-000	101 - 21	FC6-4265-000	100 - 9
FB6-1613-000	313 - 8	FC6-4120-000	101 - 16	FC6-4266-000	100 - 10
FB6-1614-000	313 - 9	FC6-4135-000	102 - 19	FC6-4267-000	100 - 11
FB6-1615-000	313 - 10	FC6-4138-000	103 - 27	FC6-4268-000	100 - 12
FB6-1616-000	313 - 11	FC6-4140-000	101 - 2	FC6-4269-000	100 - 13
FB6-1623-000	313 - 12	FC6-4143-000	101 - 3	FC6-4271-000	100 - 15
FB6-1624-000	313 - 13	FC6-4144-000	101 - 13	FC6-4272-000	100 - 14
FB6-1626-000	311 - 2	FC6-4146-000	101 - 4	FC6-4273-000	100 - 16
FB6-1626-000	313 - 14	FC6-4147-000	101 - 19	FC6-4284-000	311 - 26
FB6-1628-000	313 - 15	FC6-4148-000	103 - 20	FC6-4285-000	311 - 6
FB6-1631-030	313 - 40	FC6-4149-000	101 - 5	FC6-4286-000	311 - 7
FB6-1632-000	313 - 16	FC6-4163-000	640 - 16	FC6-4288-000	313 - 51
FB6-1633-000	311 - 3	FC6-4164-000	640 - 2	FC6-4290-000	311 - 21
FB6-1633-000	313 - 17	FC6-4165-000	640 - 3	FC6-4290-000	313 - 32
FB6-1634-000	313 - 18	FC6-4166-000	640 - 4	FC6-4291-000	311 - 8
FB6-1635-000	313 - 19	FC6-4167-000	640 - 5	FC6-4297-000	310 - 9
FB6-1636-000	313 - 20	FC6-4168-000	640 - 6	FC6-4298-000	310 - 10
FB6-1640-000	300 - 2	FC6-4169-000	640 - 7	FC6-4300-000	310 - 11
FB6-1644-000	300 - 3	FC6-4170-000	640 - 8	FC6-4304-000	311 - 9
FB6-1646-000	300 - 12	FC6-4171-000	640 - 9	FC6-4304-000	313 - 24
FB6-1649-000	300 - 13	FC6-4176-000	640 - 11	FC6-4305-000	103 - 2
FB6-1650-000	300 - 7	FC6-4177-000	640 - 12	FC6-4306-000	103 - 3
FB6-1660-000	311 - 4	FC6-4191-000	103 - 40	FC6-4308-000	103 - 34

NUMERICAL INDEX

iR2016/2016J/2020/2020J

PARTS NUMBER	FIGURE & KEY NO.	PARTS NUMBER	FIGURE & KEY NO.	PARTS NUMBER	FIGURE & KEY NO
FC6-4309-000	103 - 35	FC6-4470-000	350 - 4	FC6-7092-000	101 - 8
FC6-4310-000	103 - 36	FC6-4473-000	350 - 14	FC6-7103-000	140 - 7
FC6-4311-000	103 - 4	FC6-4474-000	350 - 5	FC7-1749-000	104 - 17
FC6-4312-000	103 - 5	FC6-4475-000	350 - 6	FC7-1757-000	101 - 3
FC6-4313-000	141 - 7	FC6-4476-000	100 - 1	FC7-1770-000	311 - 44
FC6-4314-000	141 - 1	FC6-4477-000	350 - 3	FC7-1771-000	810 - 44
FC6-4315-000	141 - 2	FC6-4478-000	102 - 3	FE5-4048-000	311 - 29
FC6-4316-000	141 - 11	FC6-4479-000	810 - 7	FE5-4048-000	313 - 42
FC6-4317-000	141 - 3	FC6-4480-000	810 - 8	FF6-1610-000	313 - 34
FC6-4324-000	141 - 4	FC6-4481-000	810 - 9	FF6-1621-000	311 - 16
FC6-4326-000	311 - 10	FC6-4482-000	102 - 4	FF6-1621-000	313 - 28
FC6-4337-000	300 - 5	FC6-4484-000	350 - 15	FG3-3501-000	810 - 12
FC6-4348-000	311 - 11	FC6-4492-000	810 - 10	FG6-8440-000	312 - 6
FC6-4350-000	311 - 12	FC6-4495-000	103 - 10	FH3-5235-000	930 - T3
FC6-4350-000	313 - 36	FC6-4497-000	250 - 3	FH3-5238-000	930 - T1
FC6-4351-000	311 - 27	FC6-4501-000	810 - 11	FH3-5239-000	930 - T2
FC6-4352-000	311 - 13	FC6-4502-000	350 - 7	FH3-5240-000	930 - T4
FC6-4352-000	313 - 25	FC6-4503-000	810 - 42	FH3-5257-000	930 - T7
FC6-4355-000	311 - 14	FC6-4504-000	350 - 19	FH5-3543-000	141 - 5
FC6-4355-000	313 - 26	FC6-4506-000	210 - 30	FH7-7569-000	210 - 26
FC6-4356-000	311 - 28	FC6-4511-000	210 - 37	FH7-7569-000	210 - 26
FC6-4356-000	313 - 41	FC6-4513-000	100 - 26	FH7-7569-000	210 - 26
FC6-4357-000	310 - 3	FC6-4514-000	210 - 31	FK2-0949-000	900 - IC140
FC6-4357-000	312 - 4	FC6-4519-000	100 - 19	FK2-1056-000	102 - 11
FC6-4358-000	311 - 15	FC6-4522-000	210 - 2	FK2-1058-000	104 - 2
FC6-4358-000	313 - 27	FC6-4528-000	210 - 14	FK2-1059-000	104 - 3
FC6-4360-000	103 - 18	FC6-4529-000	100 - 20	FK2-1060-000	210 - 7
FC6-4361-000	300 - 6	FC6-4541-000	210 - 15	FK2-1061-000	210 - 18
FC6-4376-000	140 - 2	FC6-4558-000	210 - 20	FK2-1062-000	102 - 9
FC6-4377-000	140 - 20	FC6-4559-000	210 - 39	FK2-1064-000	210 - 8
FC6-4386-000	140 - 3	FC6-4561-000	210 - 40	FK2-1066-000	210 - 28
FC6-4388-000	140 - 4	FC6-4562-000	210 - 19	FK2-1067-000	102 - 10
FC6-4399-000	103 - 6	FC6-4573-000	210 - 16	FK2-1068-000	311 - 17
FC6-4413-000	140 - 5	FC6-4580-000	100 - 21	FK2-1069-000	103 - 12
FC6-4414-000	140 - 6	FC6-4582-000	210 - 5	FK2-1070-000	140 - 21
FC6-4435-000	103 - 7	FC6-4689-000	103 - 47	FK2-1072-000	140 - 22
FC6-4436-000	250 - 1	FC6-4690-000	101 - 6	FK2-1073-000	140 - 8
FC6-4437-000	250 - 2	FC6-4691-000	104 - 7	FK2-1074-000	103 - 13
FC6-4438-000	350 - 2	FC6-4693-000	102 - 24	FK2-1075-000	103 - 13
FC6-4446-000	103 - 8	FC6-4710-000	102 - 5	FK2-1080-000	103 - 48
FC6-4447-000	103 - 9	FC6-4720-000	102 - 6	FK2-1082-000	311 - 18
FC6-4448-000	810 - 21	FC6-4724-000	100 - 22	FK2-1085-000	104 - 8
FC6-4449-000	810 - 16	FC6-4727-000	210 - 17	FK2-1086-000	104 - 8
FC6-4450-000	810 - 17	FC6-4734-000	102 - 7	FK2-1104-000	313 - 29
FC6-4452-000	810 - 3	FC6-6706-000	312 - 5	FK2-1134-000	930 - R153
FC6-4453-000	810 - 4	FC6-6707-000	312 - 29	FK2-1135-000	930 - R140
FC6-4454-000	810 - 41	FC6-6710-000	312 - 22	FK2-1136-000	930 - R141
FC6-4458-000	810 - 38	FC6-6712-000	310 -	FK2-1137-000	102 - 11
FC6-4462-000	810 - 5	FC6-6712-000	312 -	FK2-1140-000	102 - 11
FC6-4463-000	810 - 6	FC6-6714-000	312 - 17	FK2-1141-000	102 - 11
FC6-4465-000	350 - 13	FC6-6720-000	312 - 1	FK2-1232-000	001 - 1
FC6-4467-000	810 - 43	FC6-7087-000	102 - 8	FK2-1268-000	104 - 22

NUMERICAL INDEX

iR2016/2016J/2020/2020J

PARTS NUMBER	FIGURE & KEY NO.	PARTS NUMBER	FIGURE & KEY NO.	PARTS NUMBER	FIGURE & KEY NO.
FK2-1327-000	001 - 2	FM2-3352-000	810 -	FM2-4500-000	312 - 27
FK2-1601-000	102 - 11	FM2-3353-000	810 - 13	FM2-4535-000	210 - 34
FK2-1602-000	102 - 11	FM2-3383-000	102 - 14	FM2-4536-000	210 - 47
FK2-1604-000	102 - 11	FM2-3384-000	102 - 14	FM2-4537-000	210 - 47
FL2-3180-000	102 - 12	FM2-4014-000	104 - 9	FM2-4541-000	104 - 5
FL2-3181-000	102 - 13	FM2-4015-000	104 - 9	FM2-4542-000	104 - 14
FL2-3193-000	640 - 13	FM2-4016-000	104 - 9	FM2-4785-000	103 - 14
FL2-3194-000	640 - 14	FM2-4017-000	104 - 9	FM2-4786-000	103 - 14
FL2-3197-000	640 - 15	FM2-4018-000	930 -	FM2-4787-000	103 - 14
FL2-3200-000	140 - 23	FM2-4019-000	210 - 36	FM2-4788-000	103 - 14
FL2-3201-000	140 - 25	FM2-4020-000	101 - 18	FM2-4789-000	350 - 16
FL2-3202-000	140 - 26	FM2-4023-000	104 - 9	FS1-1205-000	311 - 30
FL2-3212-000	311 - 22	FM2-4024-000	104 - 9	FS1-1205-000	313 - 43
FL2-3213-000	103 - 15	FM2-4026-000	104 - 9	FS5-9714-000	313 - 52
FL2-3214-000	141 - 6	FM2-4053-000	900 - 1	FS6-2917-000	300 - 20
FL2-3220-000	350 - 8	FM2-4054-000	900 - 1	FS7-0207-000	300 - 21
FL2-3229-000	104 - 15	FM2-4055-000	900 - 3	FS7-0225-000	311 - 31
FL2-3230-000	210 - 21	FM2-4058-000	104 - 10	FS7-0225-000	313 - 44
FL2-3237-000	210 - 24	FM2-4400-000	210 - 41	FS7-0226-000	311 - 32
FL2-3268-000	100 - 23	FM2-4401-000	102 - 28	FS7-0226-000	313 - 45
FL2-3269-000	100 - 24	FM2-4402-000	102 - 26	FS7-0227-000	313 - 46
FL2-3280-000	210 - 24	FM2-4403-000	310 - 7	FS7-0228-000	311 - 33
FL2-3282-000	210 - 24	FM2-4404-000	104 - 13	FS7-0228-000	313 - 47
FL2-3286-000	210 - 38	FM2-4405-000	810 - 24	FS7-0229-000	311 - 34
FL2-3304-000	640 - 10	FM2-4408-000	103 - 45	FS7-0229-000	313 - 48
FL2-3736-000	312 - 20	FM2-4409-000	102 - 23	FS7-0230-000	311 - 35
FL2-4944-000	100 - 7	FM2-4410-000	104 - 4	FS7-0230-000	313 - 49
FL2-4945-000	100 - 7	FM2-4411-000	810 - 25	FS7-8335-000	102 - 15
FL2-4946-000	100 - 7	FM2-4412-000	210 - 44	FU5-0732-000	350 - 9
FL2-4947-000	100 - 7	FM2-4413-000	103 - 41	FU5-1498-000	102 - 20
FL2-4948-000	100 - 7	FM2-4414-000	104 - 12	FU5-1499-000	102 - 21
FL2-4949-000	100 - 7	FM2-4416-000	104 - 18	FU5-1519-000	810 - 26
FL2-4950-000	100 - 7	FM2-4417-000	140 - 43	FU5-1520-000	810 - 27
FM2-3286-000	640 -	FM2-4418-000	210 - 10	FU5-1522-000	350 - 10
FM2-3287-000	640 - 18	FM2-4419-000	210 - 11	FU5-1527-000	140 - 28
FM2-3288-000	640 - 19	FM2-4420-000	103 - 1	FU5-1528-000	140 - 29
FM2-3289-000	640 - 20	FM2-4421-000	140 - 27	FU5-1529-000	140 - 30
FM2-3294-000	315 -	FM2-4422-000	210 - 23	FU5-1530-000	140 - 31
FM2-3315-000	141 -	FM2-4423-000	210 - 45	FU5-2470-000	810 - 18
FM2-3319-000	310 - 4	FM2-4424-000	103 - 49	FU5-2476-000	141 - 9
FM2-3320-000	311 -	FM2-4425-000	104 - 11	FU5-3339-000	210 - 32
FM2-3325-000	300 - 8	FM2-4426-000	101 - 10	FU5-3340-000	210 - 33
FM2-3326-000	300 - 17	FM2-4427-000	210 - 34	FU5-8574-000	101 - 11
FM2-3330-000	140 -	FM2-4428-000	210 - 47	FU5-8575-000	810 - 28
FM2-3331-000	140 - 46	FM2-4433-000	101 - 9	FU5-8576-000	810 - 29
FM2-3344-000	250 -	FM2-4483-000	312 - 11	FU5-8581-000	210 - 25
FM2-3345-000	810 -	FM2-4484-000	313 -	FU5-8582-000	210 - 27
FM2-3346-000	810 - 13	FM2-4495-000	312 - 19	FU5-8584-000	300 - 15
FM2-3348-000	810 - 19	FM2-4496-000	312 -	FU5-8585-000	310 - 8
FM2-3349-000	810 - 20	FM2-4497-000	312 - 23	FU5-8586-000	310 - 13
FM2-3350-000	280 -	FM2-4498-000	312 - 24	FU5-8587-000	300 - 16
FM2-3351-000	350 -	FM2-4499-000	312 - 25	FU5-8588-000	300 - 14

NUMERICAL INDEX

iR2016/2016J/2020/2020J

PARTS NUMBER	FIGURE & KEY NO.	PARTS NUMBER	FIGURE & KEY NO.	PARTS NUMBER	FIGURE & KEY NO
FU5-8589-000	315 - 9	FU6-2150-000	103 - 23	RB2-1850-000	250 - 13
FU5-8590-000	210 - 25	FU6-2151-000	103 - 24	VS1-7177-002	140 - 38
FU5-8591-000	210 - 27	FU6-2152-000	103 - 25	VS1-7177-002	312 - 10
FU5-8592-000	210 - 25	FU6-2156-000	103 - 28	VS1-7177-003	102 - 27
FU5-8593-000	210 - 27	FU6-2157-000	103 - 29	VS1-7177-003	140 - 39
FU5-8600-000	300 - 23	FU6-2158-000	103 - 30	VS1-7177-004	140 - 40
FU5-8601-000	300 - 22	FU6-2159-000	103 - 31	VS1-7177-004	210 - 6
FU5-8601-000	300 - 22	FU6-2160-000	140 - 44	VS1-7177-010	104 - 6
FU5-8602-000	100 - 17	FU6-2162-000	140 - 45	VS1-7177-013	312 - 26
FU5-8603-000	100 - 18	FU6-2170-000	310 - 12	VS1-7207-006	104 - 19
FU5-8604-000	315 - 9	FU6-2171-000	141 - 8	VS1-7207-007	104 - 20
FU5-8605-000	315 - 8	FU6-2173-000	141 - 10	VT2-5177-005	900 - 4
FU5-8606-000	103 - 42	FU6-2174-000	311 - 41	WC2-5332-000	310 - 6
FU5-8607-000	140 - 1	FU6-2175-000	311 - 42	WC2-5332-000	312 - 8
FU5-8608-000	101 - 12	FU6-2175-000	313 - 53	WE8-5648-000	312 -
FU5-8609-000	300 - 22	FU6-2176-000	103 - 16	WE8-6346-000	104 - 21
FU5-8609-000	300 - 22	FU6-2177-000	141 - 13	WG8-5624-000	313 - 50
FU5-8610-000	101 - 20	FU6-2178-000	140 - 47	WG8-5696-000	101 - 22
FU5-8680-000	312 - 21	FU6-2180-000	140 - 34	WG8-5696-000	103 - 37
FU5-9340-000	900 - 2	FU6-2181-000	140 - 35	WG8-5696-000	140 - 41
FU6-0762-000	640 - 21	FU6-2182-000	140 - 36	WG8-5696-000	210 - 43
FU6-0763-000	640 - 22	FU6-2183-000	140 - 37	WG8-5696-000	311 - 43
FU6-0764-000	640 - 23	FU6-2184-000	250 - 12	WG8-5696-000	350 - 18
FU6-0765-000	640 - 1	FU6-2185-000	810 - 33	WG8-5696-000	810 - 35
FU6-0766-000	250 - 5	FU6-2186-000	810 - 34	WK1-5134-000	900 - BATS51
FU6-0767-000	250 - 6	FU6-2188-000	810 - 23	XA9-0702-000	810 - 15
FU6-0769-000	311 - 36	FU6-2189-000	350 - 11	XA9-1415-000	210 - 22
FU6-0770-000	311 - 37	FU6-2190-000	210 - 29	XA9-1567-000	100 - 25
FU6-0771-000	311 - 38	FU6-2191-000	210 - 42	XA9-1567-000	101 - 7
FU6-0773-000	141 - 12	FU6-2193-000	210 - 3	XA9-1567-000	102 - 22
FU6-0775-000	311 - 39	FU6-2194-000	101 - 17	XA9-1567-000	103 - 50
FU6-0776-000	311 - 40	FU6-2195-000	103 - 32	XA9-1567-000	104 - 16
FU6-0788-000	250 - 4	FU6-2198-000	103 - 26	XA9-1567-000	210 - 46
FU6-0790-000	250 - 7	FU6-2199-000	103 - 33	XB1-2400-607	312 - 502
FU6-0791-000	250 - 8	FU6-2206-000	350 - 12	XB2-7300-607	250 - 501
FU6-0792-000	250 - 9	FU6-2207-000	102 - 17	XB2-7300-607	311 - 503
FU6-0793-000	250 - 10	FU6-2208-000	810 - 40	XB2-7300-607	312 - 504
FU6-0794-000	103 - 38	FU6-2209-000	103 - 46	XB2-7300-607	313 - 502
FU6-0795-000	250 - 11	FU6-2210-000	350 - 17	XB2-8400-805	210 - 502
FU6-0796-000	103 - 39	FU6-2236-000	210 - 1	XB4-5401-005	100 - 501
FU6-0799-000	810 - 30	HK1-0511-000	900 - IC1	XB4-5401-005	103 - 501
FU6-0800-000	810 - 31	NPN	001 -	XB4-5401-005	140 - 501
FU6-0801-000	810 - 32	NPN	100 -	XB4-5401-005	141 - 501
FU6-0802-000	280 - 1	NPN	101 -	XB4-5401-005	310 - 501
FU6-0803-000	102 - 16	NPN	102 -	XB4-5401-005	315 - 501
FU6-0804-000	280 - 2	NPN	103 -	XB4-5401-007	310 - 502
FU6-0806-000	103 - 17	NPN	104 -	XB4-5401-007	312 - 501
FU6-0813-000	140 - 32	NPN	210 -	XB4-7300-807	640 - 501
FU6-0814-000	140 - 33	NPN	300 -	XB4-7401-009	103 - 502
FU6-2146-000	102 - 18	NPN	310 -	XB4-7401-009	300 - 501
FU6-2148-000	103 - 21	NPN	312 -	XB4-7401-009	311 - 501
FU6-2149-000	103 - 22	NPN	900 -	XB4-7401-009	313 - 501

NUMERICAL INDEX
iR2016/2016J/2020/2020J

PARTS NUMBER	FIGURE & KEY NO.	PARTS NUMBER	FIGURE & KEY NO.	PARTS NUMBER	FIGURE & KEY NO.
XB4-7401-209	350 - 501				
XB6-7300-407	210 - 501				
XB6-7300-609	311 - 502				
XB6-7300-609	313 - 503				
XB6-7300-805	102 - 501				
XB6-7300-805	104 - 501				
XB6-7300-807	104 - 502				
XD1-1106-231	210 - 503				
XD1-1106-235	312 - 503				
XD3-1200-122	313 - 35				
XD9-0133-000	311 - 23				
XD9-0133-000	313 - 37				
XD9-0134-000	810 - 14				
XD9-0136-000	140 - 42				
XD9-0136-000	210 - 35				
XD9-0136-000	311 - 24				
XD9-0136-000	312 - 18				
XD9-0136-000	313 - 38				
XD9-0136-000	810 - 37				
XF2-4620-340	210 - 4				
XF2-4661-440	210 - 9				
XH9-0135-000	310 - 14				
XH9-0135-000	312 - 28				

iR2016/2016J/2020/2020J

iR2016

120V TW	F18-8901-000	KRL
120V	F18-8932-000	KRE
230V	F18-8941-000	KRJ
230V CN	F18-8960-000	KRK
230V AU	F18-8961-000	KRC
230V EUR	F18-8991-000	KRB

iR2016J

120V	F18-8939-000	KQW
230V	F18-8949-000	KQY
230V CN	F18-8969-000	KQZ
230V EUR	F18-8999-000	KQX

iR2020

120V TW	F18-8903-000	KRU
120V	F18-8934-000	KRR
230V	F18-8943-000	KRS
230V AU	F18-8963-000	KRQ
230V CN	F18-8968-000	KRT
230V EUR	F18-8993-000	KRP

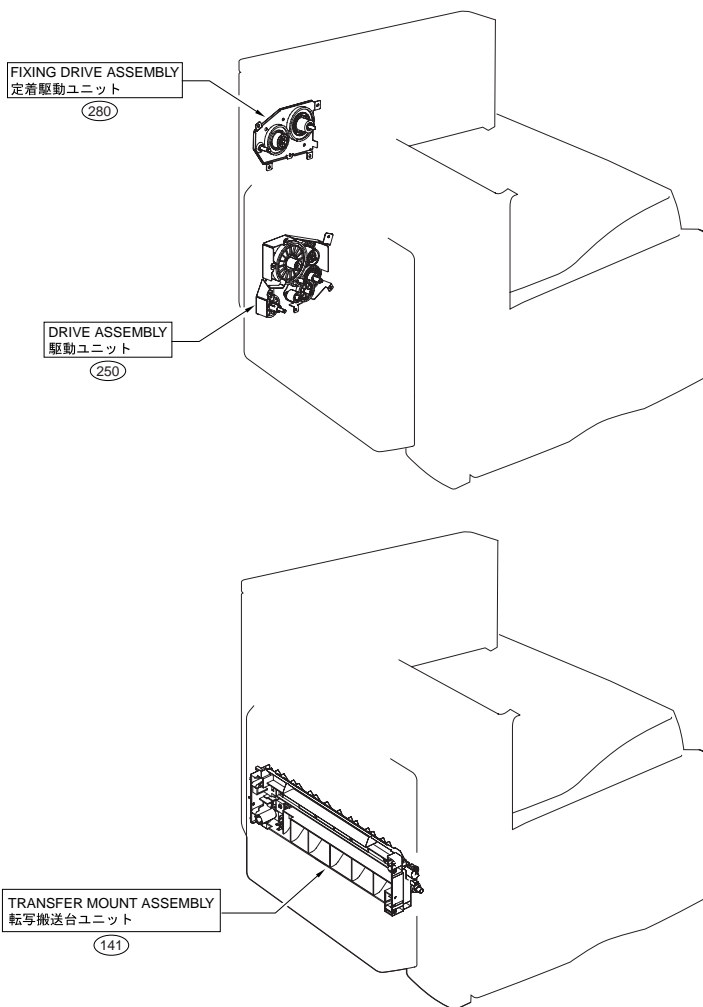
iR2020J

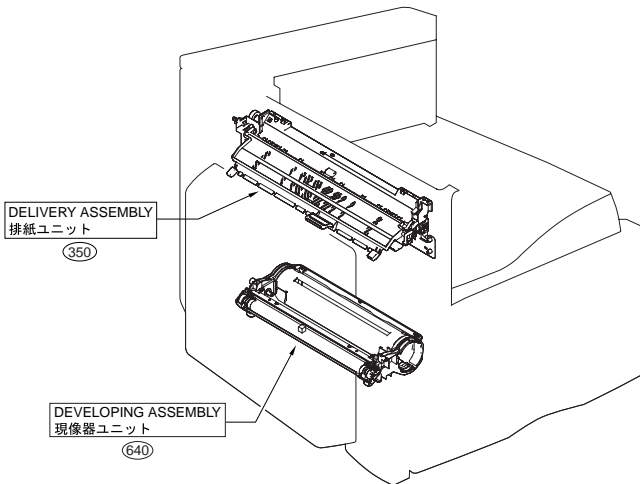
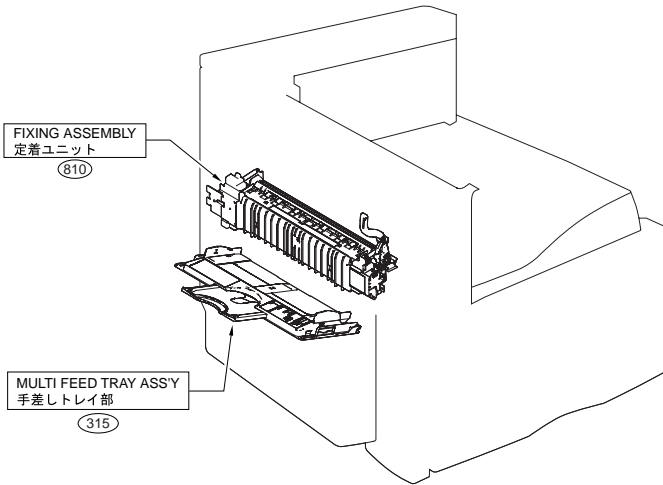
230V	F18-8945-000	KRM
230V CN	F18-8965-000	KRN

Contents

A	ASSEMBLY LOCATION DIAGRAM	2-1
001	ACCESSORIES	2-4
100	EXTERNAL COVERS, PANELS, ETC.	2-6
101	MACHINE FRONT PLATE	2-9
102	INTERNAL COMPONENTS 1	2-11
103	INTERNAL COMPONENTS 2	2-14
104	MACHINE REAR PLATE	2-17
140	LFET DOOR ASSEMBLY	2-20
141	PAPER FEEDER FRAME ASSEMBLY	2-23
210	READER ASSEMBLY	2-25
250	MAIN DRIVE ASSEMBLY	2-30
280	FIXING DRIVE ASSEMBLY	2-32
300	CASSETTE	2-34
310	CASSETTE FEEDER ASSEMBLY	2-36
311	PAPER PICK-UP ASSEMBLY	2-38
312	CASSETTE FEEDER ASSEMBLY(iR2020/2020J).....	2-41
313	PAPER PICK-UP ASSEMBLY(iR2020/2020J)	2-44
315	MULTI FEED TRAY ASSEMBLY	2-47
350	PAPER DELIVERY ASSEMBLY	2-49
640	DEVELOPING ASSEMBLY	2-51
810	FIXING ASSEMBLY	2-53
900	IMAGE PROCESSOR PCB ASSEMBLY	2-56
930	HVT PCB ASSEMBLY	2-58

FIGURE A ASSEMBLY LOCATION DIAGRAM





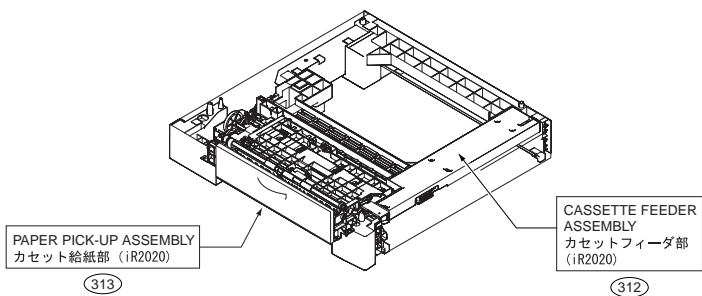
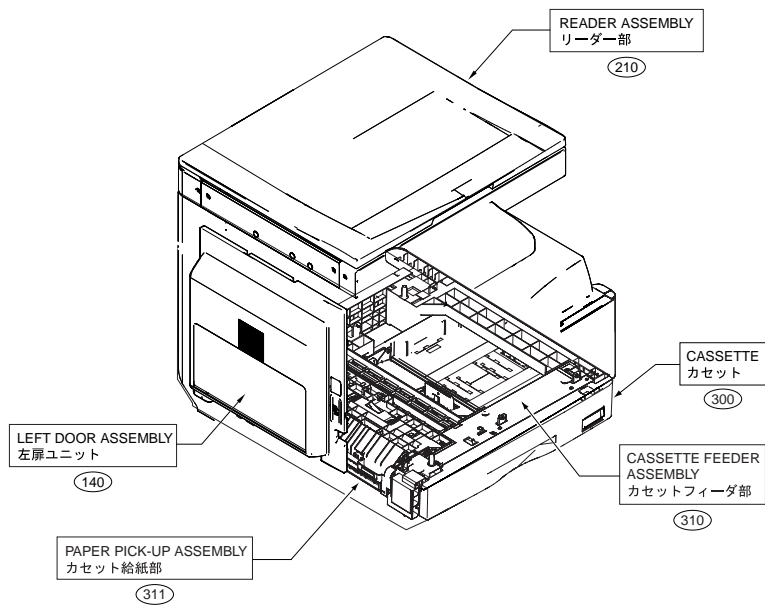
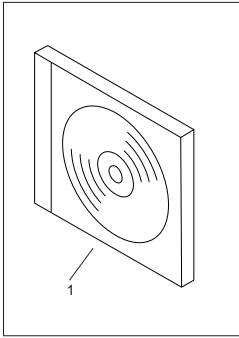
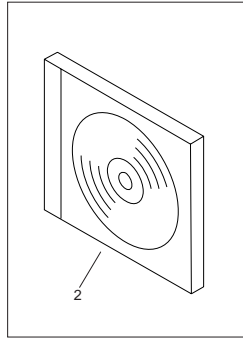


FIGURE 001 ACCESSORIES



KRL/KRE/KRJ/KRK/KRU/KRR/KRS/KRT



KRL/KRK/KRT/KRM

FIGURE & KEY NO.	PARTS NUMBER	RANK	Q'TY	DESCRIPTION	SERIAL NUMBER/REMARKS	SVC
Fig.001	NPN		RF	ACCESSORIES		
1	FK2-1232-000		1	CD-ROM, FAX DRIVER	KRL/KRE/KRJ/KRK/KRU/ KRR/KRS/KRT	
2	FK2-1327-000		1	CD-ROM, FAX DRIVER	KRL/KRE/KRT/KRM	

FIGURE 100 EXTERNAL COVERS, PANELS, ETC.

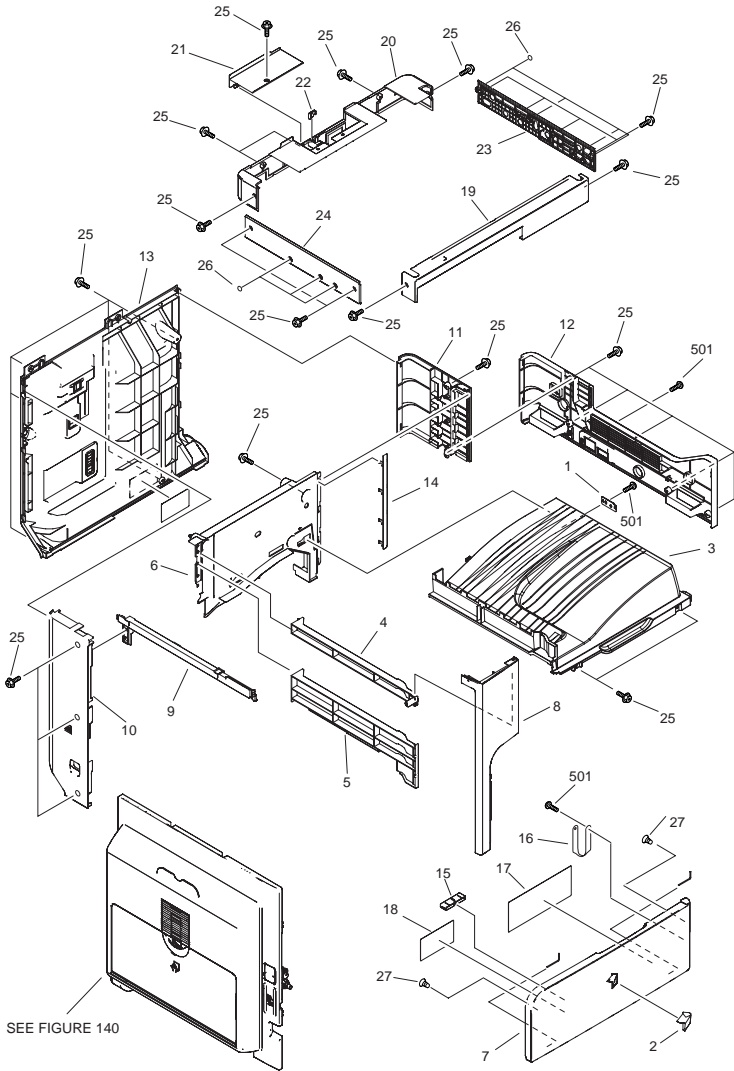


FIGURE & KEY NO.	PARTS NUMBER	R A N K	Q'TY	DESCRIPTION	SERIAL NUMBER/ REMARKS	S V C
Fig.100	NPN		RF	EXTERNAL COVERS, PANELS, ETC.		
1	FC6-4476-000		1	PLATE, SUPPORT, COVER		
2	FC5-1280-000		1	EMBLEM		
3	FC6-4259-000		1	TRAY, DELIVERY		
4	FC6-4260-000		1	COVER, PAPER FEED A		
5	FC6-4261-000		1	COVER, PAPER FEED B		
6	FC6-4262-000		1	COVER, REAR, DELIVERY		
7	FL2-4949-000		1	COVER, FRONT	iR2016 EXCEPT US	
7	FL2-4950-000		1	COVER, FRONT	iR2016 US	
7	FL2-4948-000		1	COVER, FRONT	iR2016J EXCEPT US	
7	FL2-4947-000		1	COVER, FRONT	iR2016J US	
7	FL2-4945-000		1	COVER, FRONT	iR2020 EXCEPT US	
7	FL2-4946-000		1	COVER, FRONT	iR2020 US	
7	FL2-4944-000		1	COVER, FRONT	iR2020J	
8	FC6-4264-000		1	COVER, LEFT, FRONT		
9	FC6-4265-000		1	COVER, LEFT, CENTER		
10	FC6-4266-000		1	COVER, REAR, LEFT		
11	FC6-4267-000		1	COVER, RIGHT, UPPER		
12	FC6-4268-000		1	COVER, RIGHT, LOWER		
13	FC6-4269-000		1	COVER, REAR		
14	FC6-4272-000		1	COVER, BLIND		
15	FC6-4271-000		1	COVER, FOOL PROOF		
16	FC6-4273-000		1	STRAP, COVER SUPPORT		
17	FU5-8602-000		1	LABEL, TONER CARTRIDGE		
18	FU5-8603-000		1	LABEL, LEVER, DEVELOPING SET		
19	FC6-4519-000		1	COVER, READER, FRONT		
20	FC6-4529-000		1	COVER, READER, REAR		
21	FC6-4580-000		1	WINDOW, PCB		
22	FC6-4724-000		1	COVER, CABLE, DF		
23	FL2-3268-000		1	COVER, READER, RIGHT		
24	FL2-3269-000		1	COVER, READER, LEFT		
25	XA9-1567-000		AR	SCREW, RS, M3X8.5		

FIGURE & KEY NO.	PARTS NUMBER	R A N K	Q'TY	DESCRIPTION	SERIAL NUMBER/ REMARKS	S V C
26	FC6-4513-000		6	SEAL		
27	FA9-3870-000		2	CATCH, MAGNET		
501	XB4-5401-005		2	SCREW, P, M4X10		

FIGURE 101 MACHINE FRONT PLATE

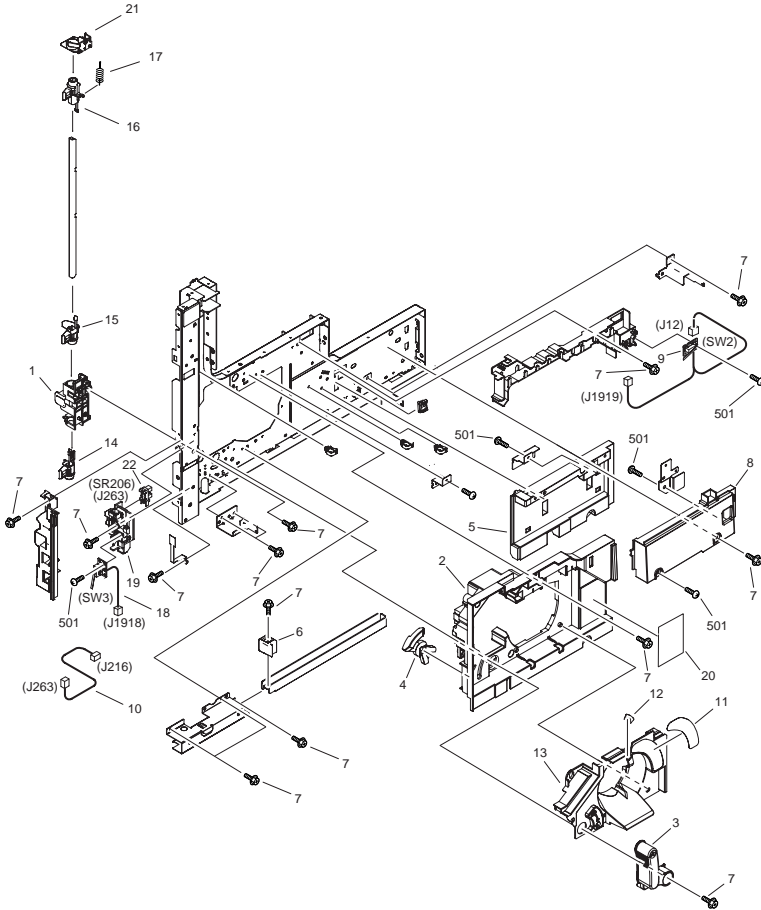


FIGURE & KEY NO.	PARTS NUMBER	RANK	Q'TY	DESCRIPTION	SERIAL NUMBER/REMARKS	SVC
Fig.101	NPN		RF	MACHINE FRONT PLATE		
1	FC6-4113-000		1	BUSHING, HOOK		
2	FC6-4140-000		1	PANEL, INNER		
3	FC7-1757-000		1	LEVER, DEV, PRESSURE	EUR	
3	FC6-4143-000		1	LEVER, DEV, PRESSURE	EXCEPT EUR	
4	FC6-4146-000		1	ARM, RELEASE, LEFT DOOR		
5	FC6-4149-000		1	PANEL, INNER, RIGHT		
6	FC6-4690-000		1	CAP, GRIP, FRONT		
7	XA9-1567-000		AR	SCREW, RS, M3X8.5		
8	FC6-7092-000		1	PANEL, INNER, UPPER		
9	FM2-4433-000		1	DOOR SWITCH PCB ASS'Y 2	SW2 J12,1919	
10	FM2-4426-000		1	CABLE, WASTE TONER DETECTION	J216,263	
11	FU5-8574-000		1	LABEL, TONER BOTTLE		
12	FU5-8608-000		1	LABEL, TONER SET INSTRUCTION		
13	FC6-4144-000		1	GUIDE, TONER BOTTLE		
14	FC6-4114-000		1	HOOK, DOOR, LOWER		
15	FC6-4115-000		1	HOOK, DOOR, MIDDLE		
16	FC6-4120-000		1	HOOK, DOOR, UPPER		
17	FU6-2194-000		1	SPRING, TENSION		
18	FM2-4020-000		1	DOOR SWITCH PCB ASS'Y	SW3 J1918	
19	FC6-4147-000		1	GUIDE, SENSOR, TONER FULL		
20	FU5-8610-000		1	LABEL, CAUTION, LASER		
21	FC6-4116-000		1	BUSHING, DOOR HOOK, UPPER		
22	WG8-5696-000		1	PHOTO INTERRUPTER, TLP1243	SR206 J263	

FIGURE & KEY NO.	PARTS NUMBER	RANK	Q'TY	DESCRIPTION	SERIAL NUMBER/REMARKS	SVC
Fig.102	NPN		RF	INTERNAL COMPONENTS		
1	FC6-4235-000		1	COVER, OPERATOR, LOWER		
2	FC6-4236-000		1	COVER, OPERATOR, LEFT		
3	FC6-4478-000		1	DUCT, AIR		
4	FC6-4482-000		1	COVER, GEAR		
5	FC6-4710-000		1	BLOCK, POSITIONING, DOOR		
6	FC6-4720-000		1	BLOCK, POSITIONING, DOOR		
7	FC6-4734-000		1	WASHER, SQUARE		
8	FC6-7087-000		1	HOOK, DRUM		
9	FK2-1062-000		1	CABLE, FLAT, OPERATION	J318,1601	
10	FK2-1067-000		1	MOTOR, STEPPING, DC24V	M201	
11	FK2-1141-000		1	CONTROL PANEL ASSEMBLY	KQW/KQY/KRM	
11	FK2-1140-000		1	CONTROL PANEL ASSEMBLY	KQX	
11	FK2-1604-000		1	CONTROL PANEL ASSEMBLY	KQZ/KRN	
11	FK2-1056-000		1	CONTROL PANEL ASSEMBLY	KRB/KRP	
11	FK2-1137-000		1	CONTROL PANEL ASSEMBLY	KRE/KRJ/KRC/KRR/KRS/KRQ	
11	FK2-1601-000		1	CONTROL PANEL ASSEMBLY	KRK/KRT	
11	FK2-1602-000		1	CONTROL PANEL ASSEMBLY	KRL/KRU	
12	FL2-3180-000		1	PLATE, HINGE, LOWER		
13	FL2-3181-000		1	HINGE PIN UNIT		
14	FM2-3384-000		1	LASER SCANNER ASSEMBLY	iR2016/2020	
14	FM2-3383-000		1	LASER SCANNER ASSEMBLY	iR2016J/2020J	
15	FS7-8335-000		1	LABEL, LASER WARNING		
16	FU6-0803-000		1	GEAR, 31T		
17	FU6-2207-000		2	SPRING, TORSION		
18	FU6-2146-000		2	SPRING, COMPRESSION		
19	FC6-4135-000		2	CAM, PRESSURE, DEV.		
20	FU5-1498-000		1	BUSHING, DEVELOPING, REAR		
21	FU5-1499-000		1	BUSHING, DEVELOPING, FRONT		
22	XA9-1567-000		88	SCREW, RS, M3X8.5		
23	FM2-4409-000		1	CABLE, FIXING MOTOR	J202,251	

FIGURE & KEY NO.	PARTS NUMBER	RANK	Q'TY	DESCRIPTION	SERIAL NUMBER/REMARKS	SVC
24	FC6-4693-000		1	SPRING, LEAF		
25	FC6-4244-000		1	ARM, RELEASE, DEVELOPPING		
26	FM2-4402-000		1	CABLE, BD-POLYGON	J3,205,256D	
27	VS1-7177-003		1	CONNECTOR, SNAP TIGHT, BK	J256LH	
28	FM2-4401-000		1	CABLE, BD	J2,256L	
501	XB6-7300-805		3	SCREW, BH3X8		

FIGURE 103 INTERNAL COMPONENTS 2

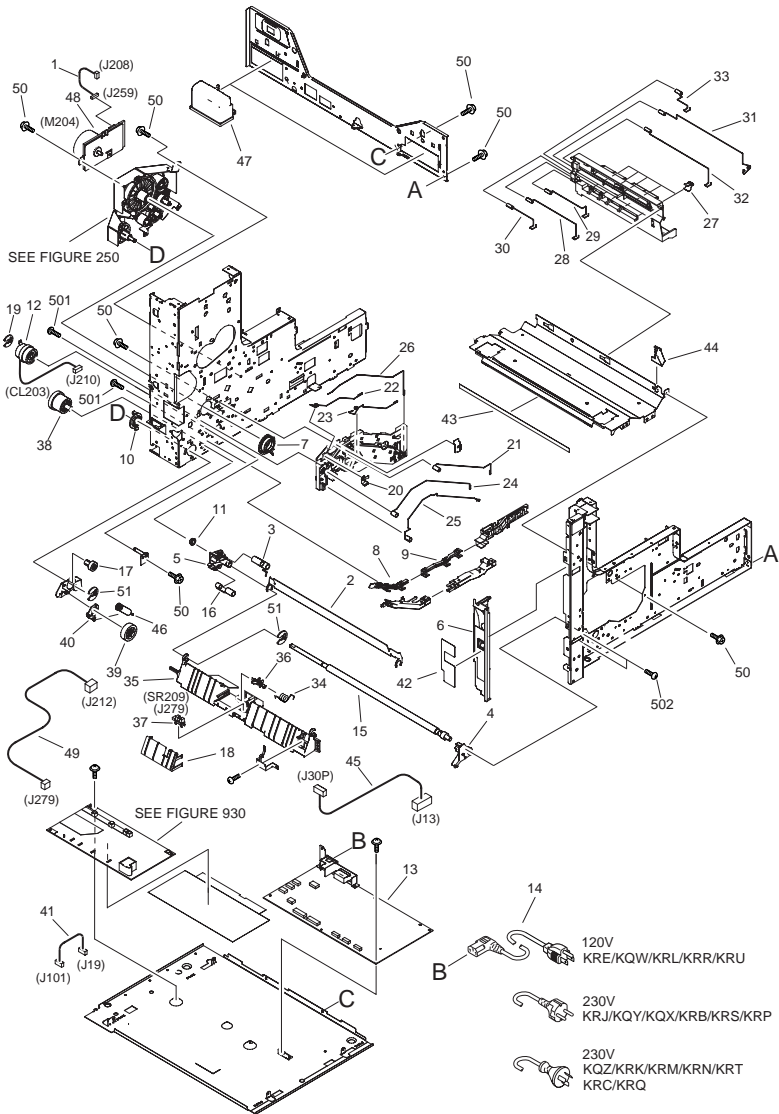


FIGURE & KEY NO.	PARTS NUMBER	R A N K	Q'TY	DESCRIPTION	SERIAL NUMBER/ REMARKS	S V C
Fig.103	NPN		RF	INTERNAL COMPONENTS		
1	FM2-4420-000		1	CABLE, MAIN MOTOR	J208,259	
2	FC6-4305-000		1	GUIDE, TRANSFER, UPPER		
3	FC6-4306-000		1	SPRING		
4	FC6-4311-000		1	BUSHING, TRANSFER, FRONT		
5	FC6-4312-000		1	BUSHING, TRANSFER, REAR		
6	FC6-4399-000		1	COVER, INNER, LEFT-UP		
7	FC6-4435-000		1	BUSHING		
8	FC6-4446-000		1	LID, AC-1		
9	FC6-4447-000		1	LID, AC-2		
10	FC6-4495-000		1	BUSHING		
11	FA9-2112-000		1	BUSHING, PL		
12	FK2-1069-000		1	CLUTCH, REGISTRATION	CL203 J210	
13	FK2-1074-000		1	POWER SUPPLY ASS'Y	120V	
13	FK2-1075-000		1	POWER SUPPLY ASS'Y	230V	
14	FM2-4785-000		1	CORD, POWER	120V KRE/KQW/KRL/ KRR/KRU	
14	FM2-4787-000		1	CORD, POWER	230V KQZ/KRK/KRM/ KRN/KRT	
14	FM2-4788-000		1	CORD, POWER	230V KRC/KRQ	
14	FM2-4786-000		1	CORD, POWER	230V KRJ/KQY/KQX/KRB/ KRS/KRP	
15	FL2-3213-000		1	ROLLER, REGISTRATION		
16	FU6-2176-000		1	SPRING, EARTH		
17	FU6-0806-000		1	GEAR, 17T		
18	FC6-4360-000		1	GUIDE, PRE-REGIST SENSOR		
19	FA3-8727-000	N	1	RING, RETAINING		
20	FC6-4148-000		1	TERMINAL, LEAF, FIXING BIAS		
21	FU6-2148-000		1	TERMINAL, CHARGE		
22	FU6-2149-000		1	TERMINAL, DEVELOPING		
23	FU6-2150-000		1	TERMINAL, DETECTION		
24	FU6-2151-000		1	TERMINAL, STATIC ELIMINATOR		
25	FU6-2152-000		1	TERMINAL, TRANSFER		

FIGURE & KEY NO.	PARTS NUMBER	R A N K	Q'TY	DESCRIPTION	SERIAL NUMBER/ REMARKS	S V C
26	FU6-2198-000		1	TERMINAL, FIXING		
27	FC6-4138-000		5	TERMINAL, LEAF, HVT		
28	FU6-2156-000		1	TERMINAL, CHARGE		
29	FU6-2157-000		1	TERMINAL, DEVELOPING		
30	FU6-2158-000		1	TERMINAL, DETECTION		
31	FU6-2159-000		1	TERMINAL, STATIC ELIMINATOR		
32	FU6-2195-000		1	TERMINAL, TRANSFER		
33	FU6-2199-000		1	TERMINAL, FIXING		
34	FC6-4308-000		1	SPRING, TORSION		
35	FC6-4309-000		1	GUIDE, PRE-REGIST, UPPER		
36	FC6-4310-000		1	FLAG, SENSOR, PRE-REGIST		
37	WG8-5696-000		1	PHOTO INTERRUPTER, TLP1243	SR209 J279	
38	FU6-0794-000		1	GEAR, 29T		
39	FU6-0796-000		1	GEAR, 33T		
40	FC6-4191-000		1	STOPPER, MULTI FEED		
41	FM2-4413-000		1	CABLE, HVT POWER	J19,101	
42	FU5-8606-000		1	LABEL, JAM CLEARING		
43	FC6-4205-000		1	SHEET, CLEANING		
44	FC6-4245-000		1	GUIDE, DEVELOPING		
45	FM2-4408-000		1	CABLE, FIXING HEATER	J13,30P	
46	FU6-2209-000		1	SPRING, TENSION		
47	FC6-4689-000		2	HANDLE		
48	FK2-1080-000		1	MOTOR, DC24V	M204	
49	FM2-4424-000		1	CABLE, RESIST SENSOR	J212,279	
50	XA9-1567-000		AR	SCREW, RS, M3X8.5		
51	FA4-1159-000		2	RING, RETAINING		
501	XB4-5401-005		AR	SCREW, P, M4X10		
502	XB4-7401-009		AR	SCREW, TAPPING, PAN HEAD, M4X10		

FIGURE 104 MACHINE REAR PLATE

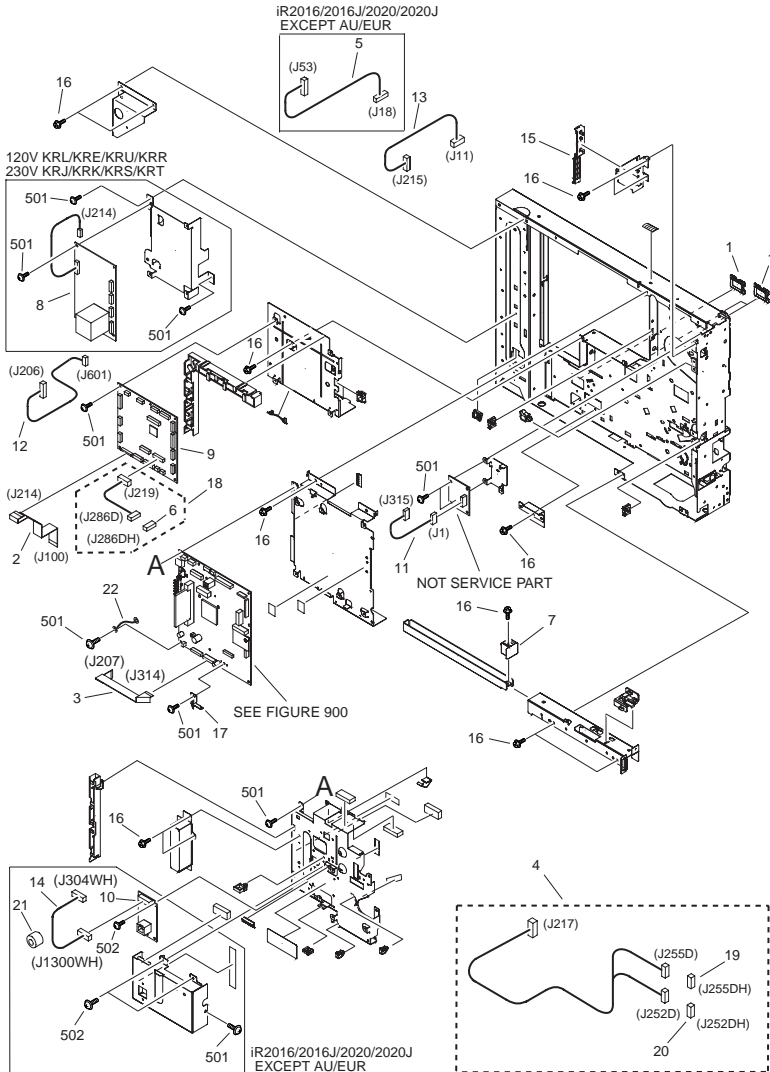
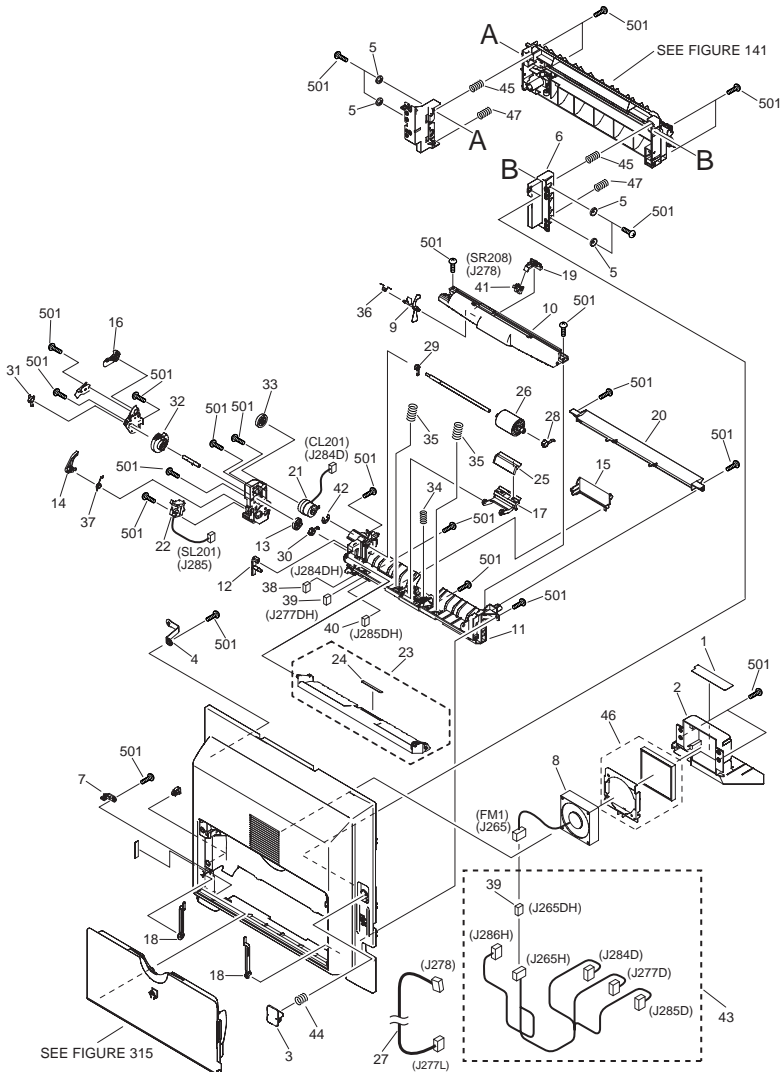


FIGURE & KEY NO.	PARTS NUMBER	R A N K	Q'TY	DESCRIPTION	SERIAL NUMBER/ REMARKS	S V C
Fig.104	NPN		RF	MACHINE REAR PLATE		
1	FB6-1722-000		3	BUSHING, SQUARE		
2	FK2-1058-000		1	CABLE, FLAT, HVT	J100,214	
3	FK2-1059-000		1	CABLE, FLAT, DC	J207,314	
4	FM2-4410-000		1	CABLE, FIXING ASSEMBLY	J217,252D,255D	
5	FM2-4541-000		1	CABLE, OPTION POWER SUPPLY	iR2016/2016J/2020/2020J EXCEPT AU/EUR J18,53	
6	VS1-7177-010		1	CONNECTOR, SNAP TIGHT, BK	J286DH	
7	FC6-4691-000		1	CAP, GRIP, REAR		
8	FK2-1085-000		1	SUB POWER SUPPLY ASS'Y	120V KRE/KRL/KRR/KRU J214	
8	FK2-1086-000		1	SUB POWER SUPPLY ASS'Y	230V KRJ/KRK/KRS/KRT J214	
9	FM2-4015-000		1	DC CONTROLLER PCB ASSEMBLY	iR2016 EXCEPT TW/US	
9	FM2-4014-000		1	DC CONTROLLER PCB ASSEMBLY	iR2016 TW/US	
9	FM2-4024-000		1	DC CONTROLLER PCB ASSEMBLY	iR2016J EXCEPT US	
9	FM2-4023-000		1	DC CONTROLLER PCB ASSEMBLY	iR2016J US	
9	FM2-4017-000		1	DC CONTROLLER PCB ASSEMBLY	iR2020 EXCEPT TW/US	
9	FM2-4016-000		1	DC CONTROLLER PCB ASSEMBLY	iR2020 TW/US	
9	FM2-4026-000		1	DC CONTROLLER PCB ASSEMBLY	iR2020J	
10	FM2-4058-000		1	LAN PCB ASSEMBLY	iR2016/2016J/2020/2020J EXCEPT AU/EUR	
11	FM2-4425-000		1	CABLE, SOFT ID	J1,315	
12	FM2-4414-000		1	CABLE, LASER	J206,601	
13	FM2-4404-000		1	CABLE, DC CONTROLLER	J11,215	
14	FM2-4542-000		1	CABLE, IP-LAN	iR2016/2016J/2020/2020J EXCEPT AU/EUR J304WH,1300WH	
15	FL2-3229-000		1	CORE UNIT		
16	XA9-1567-000		AR	SCREW, RS, M3X8.5		
17	FC7-1749-000		1	PLATE, LEAF		
18	FM2-4416-000		1	CABLE, LEFT DOOR	J219,286D,286DH	
19	VS1-7207-006		1	CONNECTOR, SNAP TIGHT	J255DH	
20	VS1-7207-007		1	CONNECTOR, SNAP TIGHT	J252DH	

FIGURE & KEY NO.	PARTS NUMBER	R A N K	Q'TY	DESCRIPTION	SERIAL NUMBER/ REMARKS	S V C
21	WE8-6346-000		1	CORE,RING	IR2016/2016J/2020/2020J EXCEPT AU/EUR	
22	FK2-1268-000		1	CABLE, GROUNDING		
501	XB6-7300-805		AR	SCREW, BH3X8 S		
502	XB6-7300-807		AR	SCREW, TAP TIGHT, BINDING HEAD		

FIGURE 140 LEFT DOOR ASSEMBLY

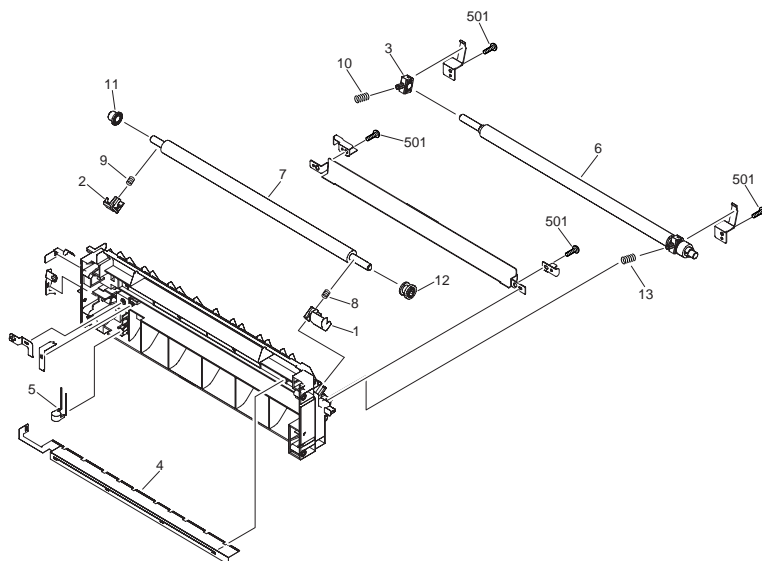


NOTE : This assembly includes the assemblies shown in Figure 141 and 315.
 注 : このユニットはFigure 141,315のユニットを含みます。

FIGURE & KEY NO.	PARTS NUMBER	R A N K	Q'TY	DESCRIPTION	SERIAL NUMBER/ REMARKS	S V C
Fig.140	FM2-3330-000		1	LEFT DOOR ASSEMBLY	SEE NOTE	
1	FU5-8607-000		1	LABEL, WARNING, ROLLER		
2	FC6-4376-000		1	HOLDER, FAN		
3	FC6-4386-000		1	BUTTON, PUSH		
4	FC6-4388-000		1	STOPPER, DOOR		
5	FC6-4413-000		4	SPACER, FRAME, FEED		
6	FC6-4414-000		1	MOUNT, FRAME, FEED		
7	FC6-7103-000		1	BLOCK, COVER		
8	FK2-1073-000		1	FAN	FM1 J265	
9	FC6-4209-000		1	FLAG, SENSOR		
10	FC6-4210-000		1	COVER, ROLLER		
11	FC6-4211-000		1	GUIDE, MULTI FEED		
12	FC6-4224-000		1	SUPPORT, CAM, LIFTING		
13	FC6-4226-000		1	CAM, LIFTING PLATE		
14	FC6-4227-000		1	ARM, MULTI FEED		
15	FC6-4232-000		1	COVER, HARNESS		
16	FC6-4233-000		1	STOPPER, SWING PLATE		
17	FC6-4234-000		1	ARM, PAD, SEPARATION		
18	FC6-4238-000		2	STOPPER, MULTI FEED		
19	FC6-4239-000		1	HOLDER, SENSOR		
20	FC6-4377-000		1	GUIDE, FEED		
21	FK2-1070-000		1	CLUTCH, ELECTROMAGNETIC	CL201 J284D	
22	FK2-1072-000		1	SOLENOID	SL201 J285	
23	FL2-3200-000		1	LIFTING PLATE ASSEMBLY		
24	FC5-0543-000		1	SHEET, SEPARATION		
25	FL2-3201-000		1	SEPARATION PAD ASSY		
26	FL2-3202-000		1	ROLLER, PICK-UP		
27	FM2-4421-000		1	HARNESS, SENSOR, PAPER	J277L,278	
28	FU5-1527-000		1	BUSHING, ROLLER, PICK-UP		
29	FU5-1528-000		1	BUSHING, SHAFT, PICK-UP		
30	FU5-1529-000		1	BUSHING, SHAFT, CAM (F)		
31	FU5-1530-000		1	BUSHING, SHAFT, CAM (R)		

FIGURE & KEY NO.	PARTS NUMBER	R A N K	Q'TY	DESCRIPTION	SERIAL NUMBER/REMARKS	S V C
32	FU6-0813-000		1	GEAR, MULTI FEED		
33	FU6-0814-000		1	GEAR, 25T		
34	FU6-2180-000		1	SPRING, COMPRESSION		
35	FU6-2181-000		2	SPRING, COMPRESSION		
36	FU6-2182-000		1	SPRING, TORSION		
37	FU6-2183-000		1	SPRING, TORSION		
38	VS1-7177-002		1	CONNECTOR, SNAP TIGHT, BK	J284DH	
39	VS1-7177-003		2	CONNECTOR, SNAP TIGHT, BK	J265DH,277DH	
40	VS1-7177-004		1	CONNECTOR, SNAP TIGHT, BK	J285DH	
41	WG8-5696-000		1	PHOTO INTERRUPTER, TLP1243	SR208 J278	
42	XD9-0136-000		1	RING, E		
43	FM2-4417-000		1	CABLE, LEFT DOOR	J277D,284D,285D	
44	FU6-2160-000		1	SPRING, COMPRESSION		
45	FU6-2162-000		2	SPRING, COMPRESSION		
46	FM2-3331-000		1	FILTER UNIT		
47	FU6-2178-000		2	SPRING, COMPRESSION		
501	XB4-5401-005		27	SCREW, P, M4X10		

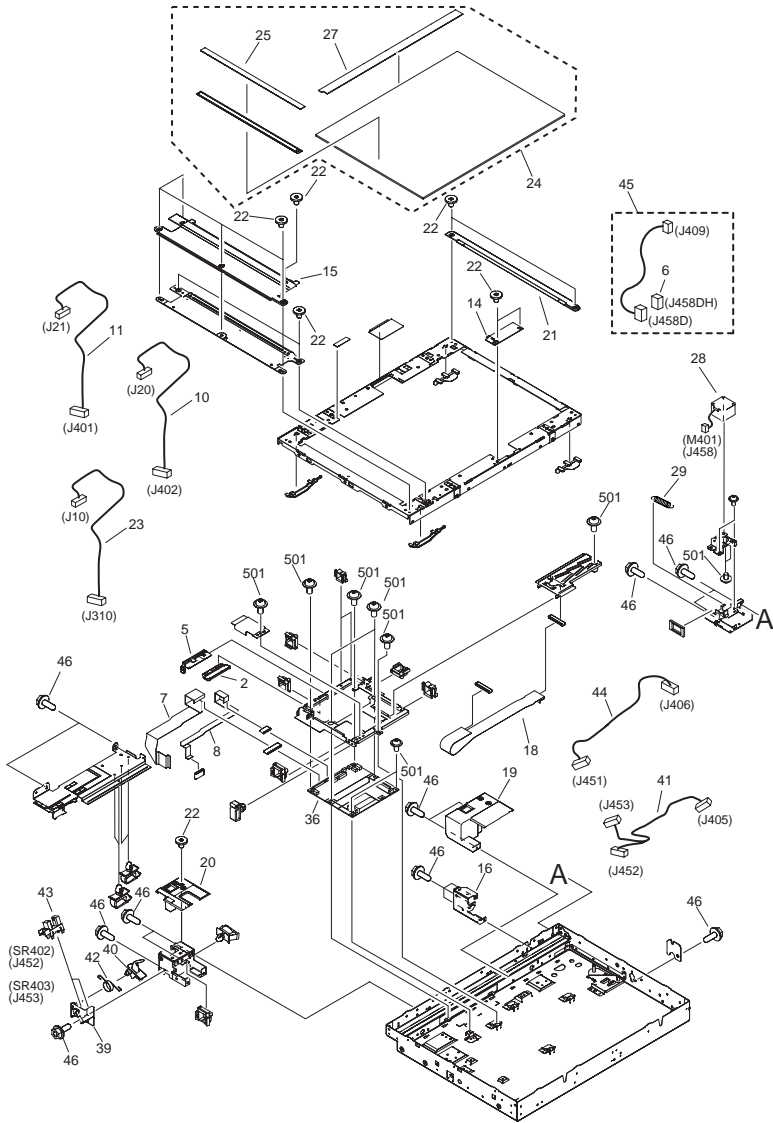
FIGURE 141 PAPER FEEDER FRAME ASSEMBLY



NOTE : This assembly is included in the assembly shown in Figure 140.
注 : このユニットはFigure 140のユニットに含まれます。

FIGURE & KEY NO.	PARTS NUMBER	R A N K	Q'TY	DESCRIPTION	SERIAL NUMBER/ REMARKS	S V C
Fig.141	FM2-3315-000		1	TRANSFER MOUNT ASSEMBLY	SEE NOTE	
1	FC6-4314-000		1	BUSHING, TRANSFER, FRONT		
2	FC6-4315-000		1	BUSHING, TRANSFER, LOWER		
3	FC6-4317-000		1	BUSHING, REGIST ROLLER		
4	FC6-4324-000		1	ELIMINATOR, STATIC CHARGE		
5	FH5-3543-000		1	VARISTOR		
6	FL2-3214-000		1	REGIST ROLLER ASSEMBLY		
7	FC6-4313-000		1	ROLLER, TRANSFER		
8	FU6-2171-000		1	SPRING, TRANSFER ROLLER, LEFT		
9	FU5-2476-000		1	SPRING, TRANSFER ROLLER, RIGHT		
10	FU6-2173-000		1	SPRING, COMPRESSION		
11	FC6-4316-000		1	ROLLER		
12	FU6-0773-000		1	GEAR, 30T		
13	FU6-2177-000		1	SPRING, COMPRESSION		
501	XB4-5401-005		4	SCREW, P, M4X10		

FIGURE 210 READER ASSEMBLY



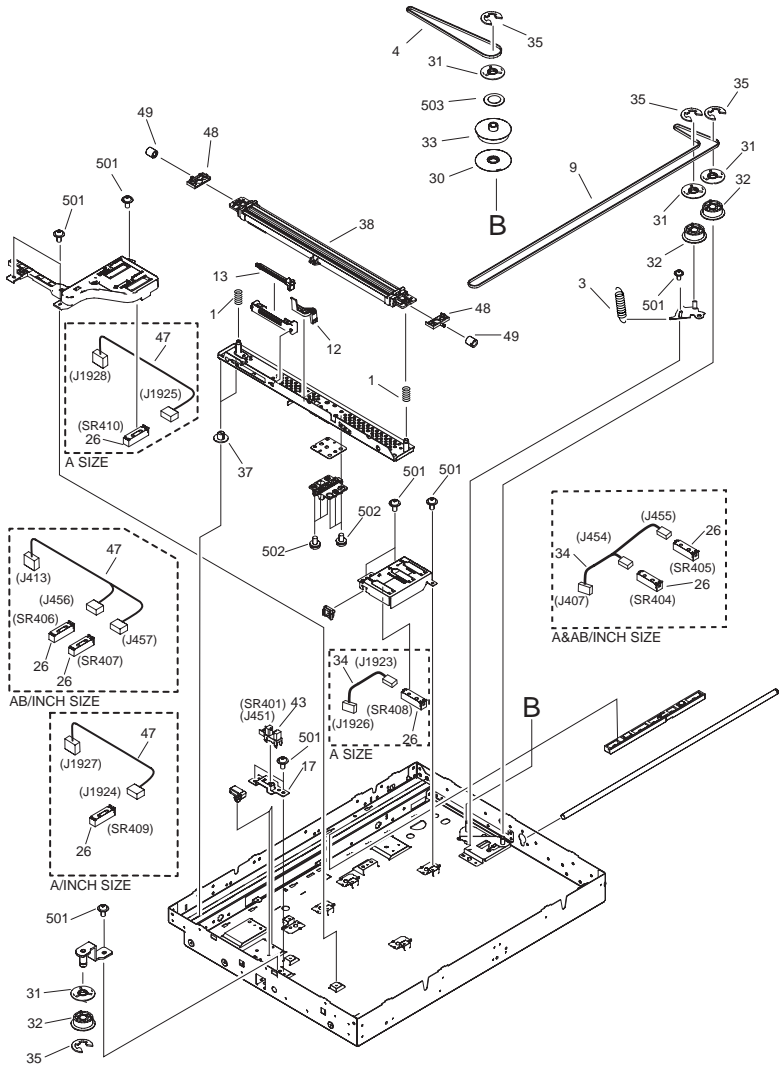


FIGURE & KEY NO.	PARTS NUMBER	R A N K	Q'TY	DESCRIPTION	SERIAL NUMBER/ REMARKS	S V C
Fig.210	NPN		RF	READER ASSEMBLY		
1	FU6-2236-000		2	SPRING, COMPRESSION		
2	FC6-4522-000		1	HOLDER, CORE		
3	FU6-2193-000		1	SPRING, TENSION		
4	XF2-4620-340		1	BELT, TIMING		
5	FC6-4582-000		1	CLAMP,FLEXIBLE		
6	VS1-7177-004		1	CONNECTOR, SNAP TIGHT, BK	J458DH	
7	FK2-1060-000		1	CABLE, FLAT, READER 1	J309,404	
8	FK2-1064-000		1	CABLE, FLAT, READER 2	J308,403	
9	XF2-4661-440		1	BELT, TIMING		
10	FM2-4418-000		1	CABLE, READER CONTROLLER 1	J20,402	
11	FM2-4419-000		1	CABLE, READER CONTROLLER 2	J21,401	
12	FC5-0792-000		1	RETAINER, BELT		
13	FC5-1444-000		1	HOLDER, FFC		
14	FC6-4528-000		1	LID, GRASS RETAINER		
15	FC6-4541-000		1	COVER, LEFT, UPPER		
16	FC6-4573-000		1	PLATE, HINGE, RIGHT		
17	FC6-4727-000		1	HOLDER, SENSOR		
18	FK2-1061-000		1	CABLE, FLAT, READER	J408,460	
19	FC6-4562-000		1	COVER, HINGE, RIGHT		
20	FC6-4558-000		1	COVER, HINGE, LEFT		
21	FL2-3230-000		1	RETAINER, GLASS (R)		
22	XA9-1415-000		12	SCREW, FLAT HEAD, M4		
23	FM2-4422-000		1	CABLE, READER CONTROLLER	J10,310	
24	FL2-3282-000		1	GLASS, COPYBOARD	A INCH SIZE	
24	FL2-3237-000		1	GLASS, COPYBOARD	A SIZE	
24	FL2-3280-000		1	GLASS, COPYBOARD	AB INCH SIZE	
25	FU5-8592-000		1	PLATE, WIDTH INDEX	A INCH SIZE	
25	FU5-8581-000		1	PLATE, WIDTH INDEX	A SIZE	
25	FU5-8590-000		1	PLATE, WIDTH INDEX	AB INCH SIZE	
26	FH7-7569-000		3	DOCUMENT SIZE SENSOR UNIT	A INCH SIZE SR404,405,407,409	

FIGURE & KEY NO.	PARTS NUMBER	R A N K	Q'TY	DESCRIPTION	SERIAL NUMBER/REMARKS	S V C
26	FH7-7569-000		2	DOCUMENT SIZE SENSOR UNIT	A SIZE SR408,410	
26	FH7-7569-000		4	DOCUMENT SIZE SENSOR UNIT	AB INCH SIZE SR404,405,406,407	
27	FU5-8593-000		1	PLATE, LENGTH INDEX	A INCH SIZE	
27	FU5-8582-000		1	PLATE, LENGTH INDEX	A SIZE	
27	FU5-8591-000		1	PLATE, LENGTH INDEX	AB INCH SIZE	
28	FK2-1066-000		1	MOTOR, STEPPING	M401 J458	
29	FU6-2190-000		1	SPRING, TENSION		
30	FC6-4506-000		1	FLANGE		
31	FC6-4514-000		4	FLANGE		
32	FU5-3339-000		3	PULLEY		
33	FU5-3340-000		1	PULLEY		
34	FM2-4427-000		1	CABLE, DOCUMENT SIZE SENSOR	A INCH SIZE/AB INCH SIZE J407,454,455	
34	FM2-4535-000		1	CABLE, DOCUMENT SIZE SENSOR	A SIZE J1923,1926	
35	XD9-0136-000		4	RING, E		
36	FM2-4019-000		1	READER CONTROLLER PCB ASSEMBLY		
37	FC6-4511-000		2	SLIDER		
38	FL2-3286-000		1	CONTACT IMAGE SENSOR		
39	FC6-4559-000		1	HOLDER, SENSOR		
40	FC6-4561-000		1	LEVER, SENSOR		
41	FM2-4400-000		1	CABLE, SENSOR	J405,452,453	
42	FU6-2191-000		1	SPRING, SENSOR		
43	WG8-5696-000		3	PHOTO INTERRUPTER, TLP1243	SR401,402,403 J451,452,453	
44	FM2-4412-000		1	CABLE, HP SENSOR	J406,451	
45	FM2-4423-000		1	CABLE, READER MOTOR	J409,458D	
46	XA9-1567-000		38	SCREW, RS, M3X8.5		
47	FM2-4536-000		1	CABLE, DOCUMENT SIZE SENSOR	A INCH SIZE J1924,1927	
47	FM2-4537-000		1	CABLE, DOCUMENT SIZE SENSOR	A SIZE J1925,1928	
47	FM2-4428-000		1	CABLE, DOCUMENT SIZE SENSOR	AB INCH SIZE J413,456,457	
48	FB6-1336-000		2	GUIDE, CIS		

FIGURE & KEY NO.	PARTS NUMBER	R A N K	Q'TY	DESCRIPTION	SERIAL NUMBER/ REMARKS	S V C
49	FB6-1337-000		2	COLLAR		
501	XB6-7300-407		4	SCREW, TP, M3X4		
502	XB2-8400-805		6	SCREW, WWASHER, M4X8		
503	XD1-1106-231		1	WASHER,COP		

FIGURE 250 MAIN DRIVE ASSEMBLY

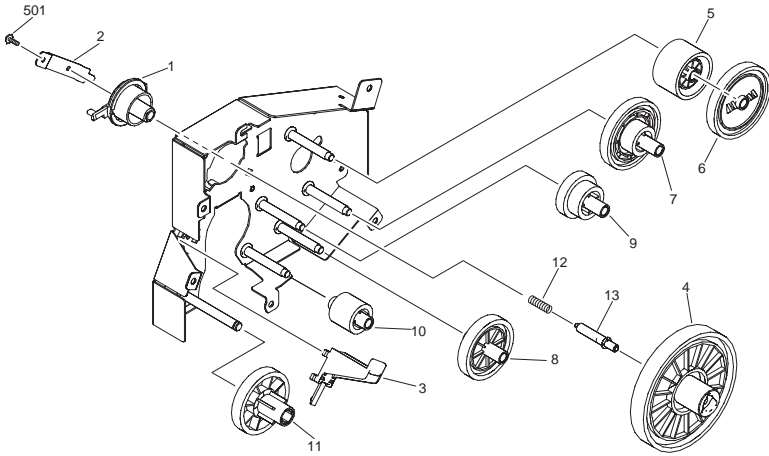


FIGURE & KEY NO.	PARTS NUMBER	R A N K	Q'TY	DESCRIPTION	SERIAL NUMBER/ REMARKS	S V C
Fig.250	FM2-3344-000		1	MAIN DRIVE ASSEMBLY		
1	FC6-4436-000		1	BUSHING		
2	FC6-4437-000		1	PLATE, EARTH		
3	FC6-4497-000		1	STOPPER, GEAR		
4	FU6-0788-000		1	GEAR, 161T		
5	FU6-0766-000		1	GEAR, 13T		
6	FU6-0767-000		1	GEAR, 9T		
7	FU6-0790-000		1	GEAR, 25T/91T		
8	FU6-0791-000		1	GEAR, 53T		
9	FU6-0792-000		1	GEAR, 37T/28T		
10	FU6-0793-000		1	GEAR, 25T		
11	FU6-0795-000		1	GEAR, 55T		
12	FU6-2184-000		1	SPRING, EARTH		
13	RB2-1850-000		1	PIN		
501	XB2-7300-607		1	SCREW,W/WASHER,M3X6		

FIGURE 280
FIXING DRIVE ASSEMBLY

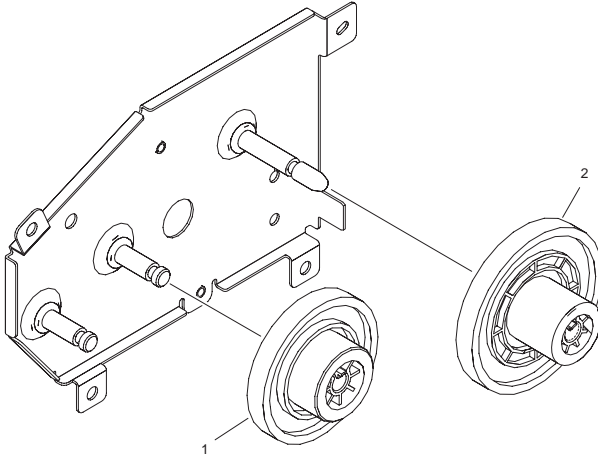


FIGURE & KEY NO.	PARTS NUMBER	RANK	Q'TY	DESCRIPTION	SERIAL NUMBER/REMARKS	SVC
Fig.280	FM2-3350-000		1	FIXING DRIVE ASSEMBLY		
1	FU6-0802-000		1	GEAR, 80T/17T		
2	FU6-0804-000		1	GEAR, 91T/19T		

FIGURE 300 CASSETTE

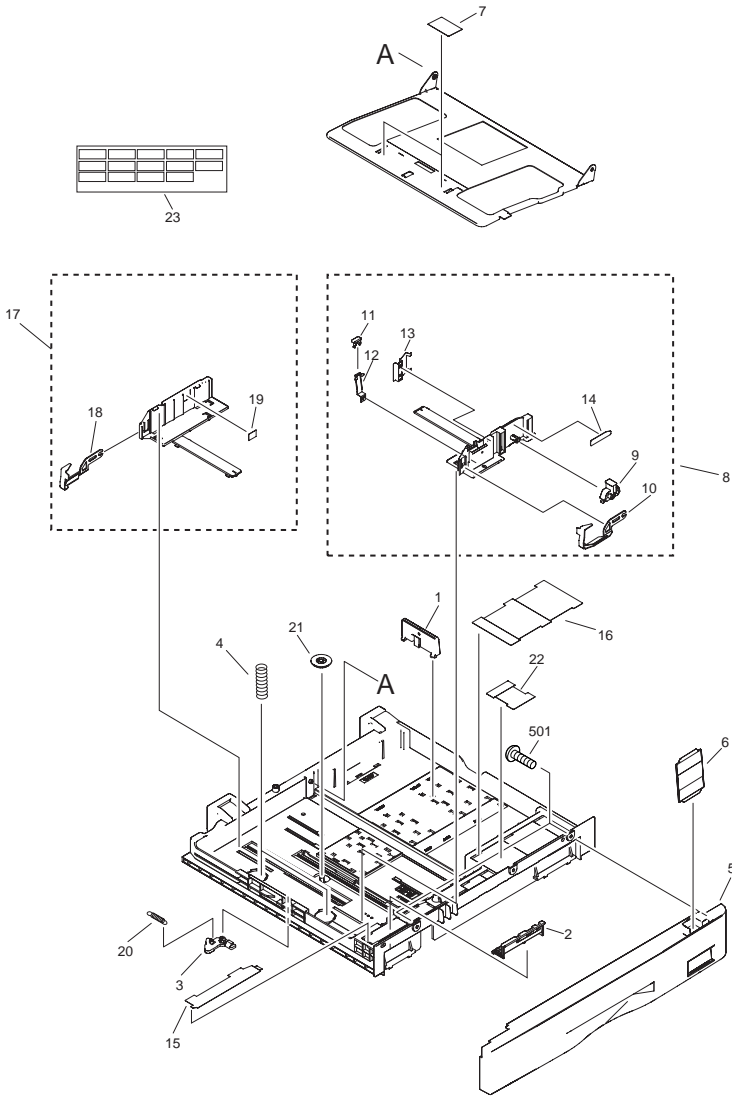


FIGURE & KEY NO.	PARTS NUMBER	R A N K	Q'TY	DESCRIPTION	SERIAL NUMBER/ REMARKS	S V C
Fig.300	NPN		RF	CASSETTE		
1	FB4-5814-000		1	PLATE, SIZE, REAR		
2	FB6-1640-000		1	LEVER, PAPER SIZE		
3	FB6-1644-000		1	LOCK, PAPER LIFTING PLATE		
4	FB6-2000-000		2	SPRING, COMPRESSION		
5	FC6-4337-000		1	COVER, CASSETTE		
6	FC6-4361-000		1	PLATE, SIZE INDICATOR		
7	FB6-1650-000		2	SHEET, SEPARATION		
8	FM2-3325-000		1	PAPER SIDE GUIDE (F) UNIT		
9	FB4-5809-020		1	LEVER, LOCK		
10	FB4-5813-020		1	PLATE, HOLD-DOWN TAB		
11	FB4-5810-000		1	PLATE, PAPER CONTACT		
12	FB6-1646-000		1	SPRING, LEAF		
13	FB6-1649-000		1	SPRING, LEAF		
14	FU5-8588-000		1	LABEL, SIDE LOCK		
15	FU5-8584-000		1	SHEET, PAPER SIZE SETTING		
16	FU5-8587-000		1	SHEET, PAPER SUPPLY		
17	FM2-3326-000		1	PAPER SIDE GUIDE (R) UNIT		
18	FB4-5808-020		1	PLATE, HOLD-DOWN TAB		
19	FB4-5824-000		1	LABEL, LIMIT		
20	FS6-2917-000		1	SPRING, TENSION		
21	FS7-0207-000		1	GEAR, 20T		
22	FU5-8601-000		1	SHEET, WARNING	KRE/KRJ/KRC/KRB/KQW/ KQY/KQX	
22	FU5-8609-000		1	SHEET, WARNING	KRL/KRK/KQZ	
22	FU5-8601-000		2	SHEET, WARNING	KRR/KRS/KRQ/KRP/KRM	
22	FU5-8609-000		2	SHEET, WARNING	KRU/KRT/KRN	
23	FU5-8600-000		1	LABEL, PAPER SIZE		
501	XB4-7401-009		2	SCREW, TAPPING, PAN HEAD		

FIGURE 310 CASSETTE FEEDER ASSEMBLY

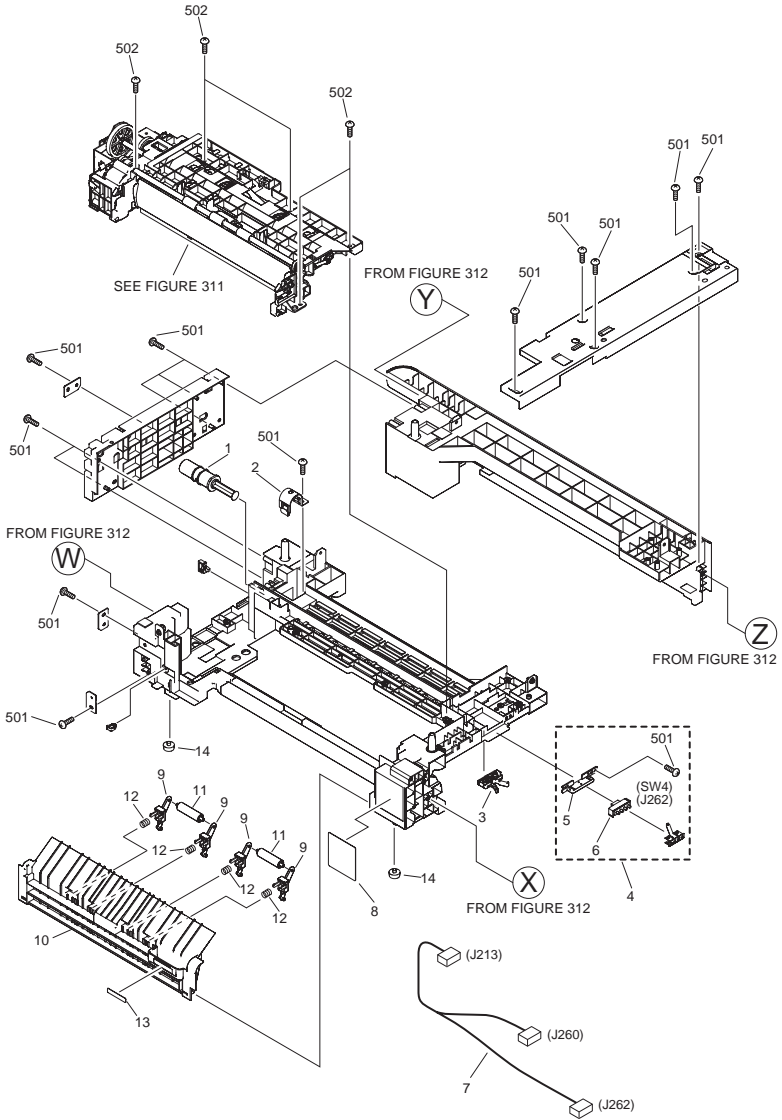


FIGURE & KEY NO.	PARTS NUMBER	R A N K	Q'TY	DESCRIPTION	SERIAL NUMBER/ REMARKS	S V C
Fig.310	NPN		RF	CASSETTE FEEDER ASSEMBLY		
1	FB4-5532-000		1	DAMPER		
2	FB6-1608-000		1	HOLDER, DAMPER		
3	FC6-4357-000		1	BLOCK, POSITION		
4	FM2-3319-000		1	SIZE DETECTION ASS'Y		
5	FB6-1910-000		1	MOUNT, SIZE SENSOR		
6	WC2-5332-000		1	SWITCH, PAPER SIZE	SW4,J262	
7	FM2-4403-000		1	CABLE, CASSETTE	J213,260,262	
8	FU5-8585-000		1	LABEL, JAM CLEARING		
9	FC6-4297-000		4	BUSHING, ROLLER, VERTICAL		
10	FC6-4298-000		1	COVER, CASSETTE, LEFT		
11	FC6-4300-000		2	ROLLER, VERTICAL PASS		
12	FU6-2170-000		4	SPRING, COMPRESSION		
13	FU5-8586-000		1	LABEL, COVER		
14	XH9-0135-000		2	FOOT, RUBBER		
501	XB4-5401-005		15	SCREW, P, M4X10		
502	XB4-5401-007		5	SCREW, M4X10		
	FC6-6712-000		1	PLATE, EARTH		

FIGURE 311 PAPER PICK-UP ASSEMBLY

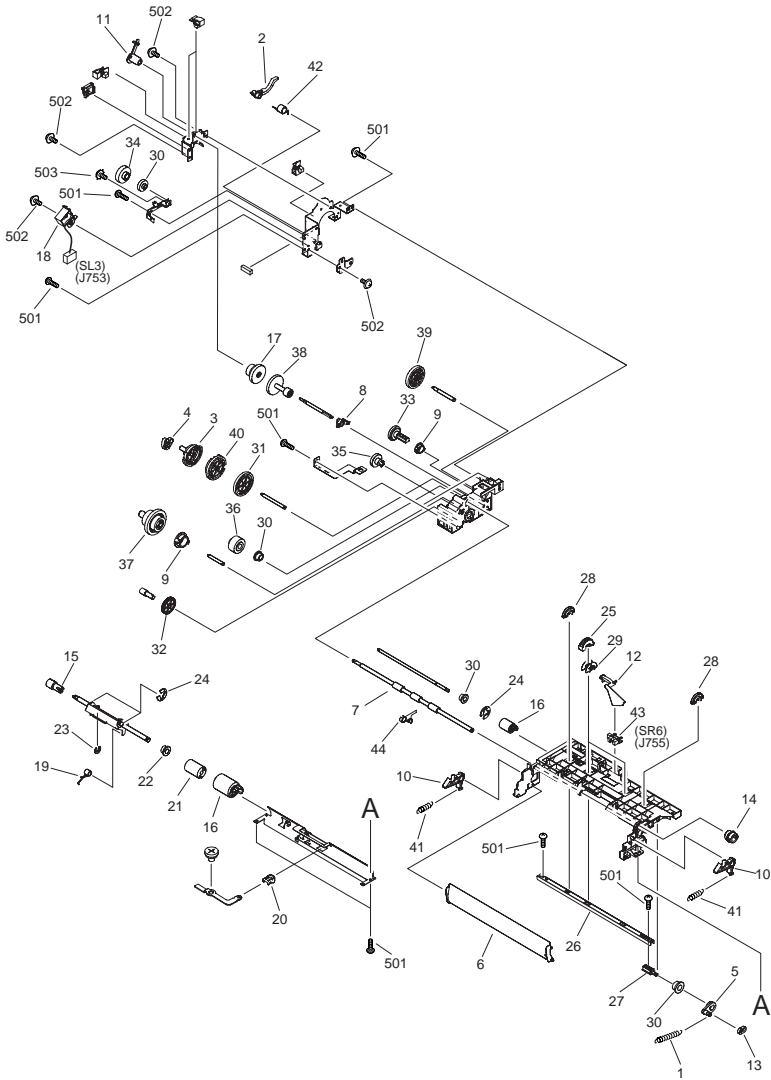


FIGURE & KEY NO.	PARTS NUMBER	R A N K	Q'TY	DESCRIPTION	SERIAL NUMBER/ REMARKS	S V C
Fig.311	FM2-3320-000		1	PAPER PICK-UP ASSEMBLY		
1	FB6-1550-000		1	SPRING, TENSION		
2	FB6-1626-000		1	LEVER, COUPLING		
3	FB6-1633-000		1	GEAR, 27T/50T		
4	FB6-1660-000		1	CAM		
5	FB6-1909-000		1	BUSHING		
6	FC6-4285-000		1	GUIDE, TURN		
7	FC6-4286-000		1	ROLLER, VERTICAL PASS		
8	FC6-4291-000		1	BUSHING, CLUTCH		
9	FC6-4304-000		2	BUSHING, ROLLER, PICK-UP		
10	FC6-4326-000		2	LOCK, VERTICAL PASS		
11	FC6-4348-000		1	BUSHING, CLUTCH, REAR		
12	FC6-4350-000		1	ARM, DETECTION, PAPER		
13	FC6-4352-000		1	COLLAR, SPRING		
14	FC6-4355-000		1	BUSHING		
15	FC6-4358-000		1	JOINT, RETARD		
16	FF6-1621-000		2	ROLLER, SEPARATION		
17	FK2-1068-000		1	CLUTCH, ELECTROMAGNETIC		
18	FK2-1082-000		1	SOLENOID		
19	FB6-1902-000		1	SPRING, TORSION		
20	FB6-1908-000		1	CAP		
21	FC6-4290-000		1	LIMITER, TORQUE		
22	FL2-3212-000		1	SHAFT, ROLLER		
23	XD9-0133-000		1	RING, E		
24	XD9-0136-000		3	RING, E		
25	FB4-9817-030		2	ROLLER, PICK-UP		
26	FC6-4284-000		1	SHAFT, ROLLER, PICK-UP		
27	FC6-4351-000		1	SHAFT, ROLLER		
28	FC6-4356-000		2	ROLLER, LOOP		
29	FE5-4048-000		2	BLOCK, PICK-UP ROLLER ADPTER		
30	FS1-1205-000		4	BUSHING		
31	FS7-0225-000		1	GEAR, 53T		

FIGURE & KEY NO.	PARTS NUMBER	R A N K	Q'TY	DESCRIPTION	SERIAL NUMBER/ REMARKS	S V C
32	FS7-0226-000		1	GEAR, 36T		
33	FS7-0228-000		1	GEAR, 31T		
34	FS7-0229-000		1	GEAR, 18T		
35	FS7-0230-000		1	GEAR, 27T		
36	FU6-0769-000		1	GEAR, 17T		
37	FU6-0770-000		1	GEAR, 21T/37T/22T		
38	FU6-0771-000		1	GEAR, 16T/34T		
39	FU6-0775-000		1	GEAR, 39T		
40	FU6-0776-000		1	GEAR, 29T		
41	FU6-2174-000		2	SPRING, TENSION		
42	FU6-2175-000		1	SPRING, TORSION		
43	WG8-5696-000		1	PHOTO INTERRUPTER, TLP1243	SR6 J755	
44	FC7-1770-000		1	BUSHING		
501	XB4-7401-009		8	SCREW,TAPPING,PAN HEAD,M4X10		
502	XB6-7300-609	N	4	SCREW, MACH, PAN HEAD, M3X8		
503	XB2-7300-607		1	SCREW, CROSS-RECESS, FCH		

FIGURE 312 CASSETTE FEEDER ASSEMBLY(iR2020/2020J)

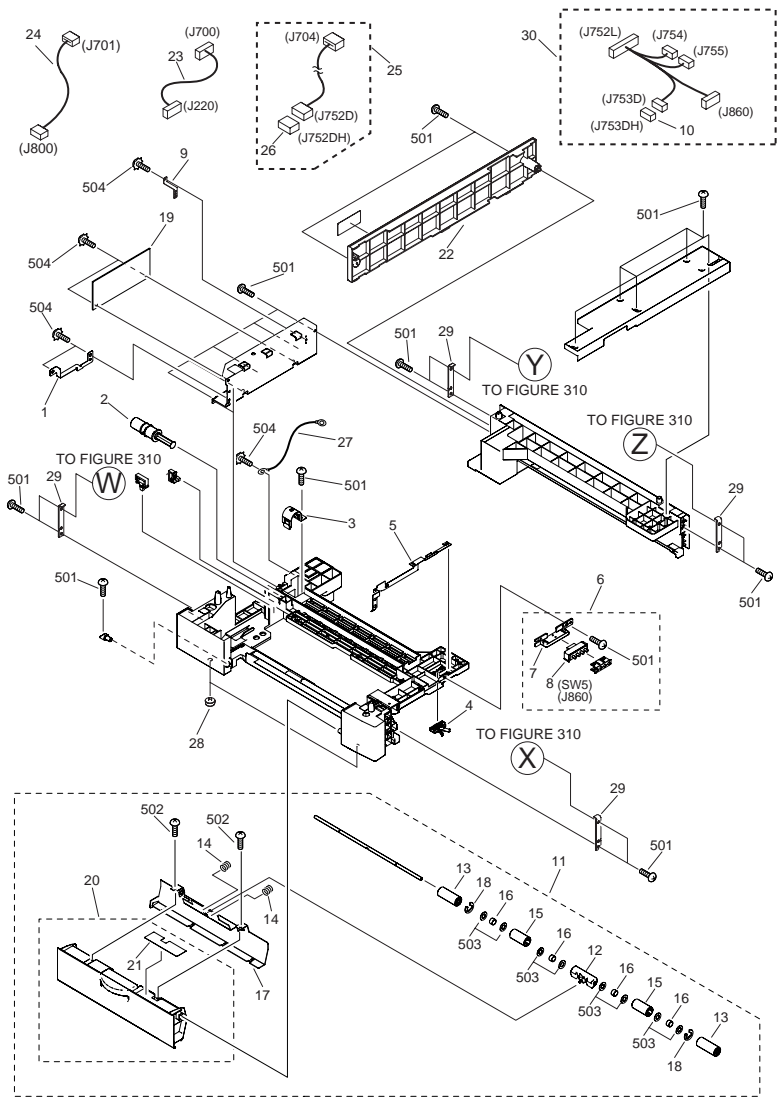


FIGURE & KEY NO.	PARTS NUMBER	R A N K	Q'TY	DESCRIPTION	SERIAL NUMBER/ REMARKS	S V C
Fig.312	NPN		RF	CASSETTE FEEDER ASSEMBLY		
1	FC6-6720-000		1	PLATE, GROUNDING		
2	FB4-5532-000		1	DAMPER		
3	FB6-1608-000		1	HOLDER, DAMPER		
4	FC6-4357-000		1	BLOCK, POSITION		
5	FC6-6706-000		1	PLATE, EARTH		
6	FG6-8440-000		1	SIZE SENSOR UNIT		
7	FB6-1910-000		1	MOUNT, SIZE SENSOR		
8	WC2-5332-000		1	SWITCH, PAPER SIZE	SW5,J860	
9	FB6-1913-000		1	PLATE, GROUNDING		
10	VS1-7177-002		1	CONNECTOR, SNAP TIGHT, BK	J753D	
11	FM2-4483-000		1	VERTICAL PATH UNIT		
12	FB4-5671-000		1	MOUNT, ROLLER		
13	FB6-1536-000		2	ROLLER		
14	FB6-1920-000		2	SPRING, COMPRESSION		
15	FB6-1996-000		2	ROLLER, VERTICAL PATH		
16	FB6-1997-000		4	SPRING, COMPRESSION		
17	FC6-6714-000		1	GUIDE, VERTICAL PATH		
18	XD9-0136-000		2	RING, E		
19	FM2-4495-000		1	FEEDER CONTROLLER PCB ASS'Y		
20	FL2-3736-000		1	COVER, VERTICAL PATH		
21	FU5-8680-000		1	LABEL,JAM		
22	FC6-6710-000		1	COVER, CASSETTE, REAR		
23	FM2-4497-000		1	CABLE, INTERFACE, 1	J220,700	
24	FM2-4498-000		2	CABLE, INTERFACE, 2	J701,800	
25	FM2-4499-000		1	CABLE, FEEDER	J704,752D	
26	VS1-7177-013		1	CONNECTOR, SNAP TIGHT	J752DH	
27	FM2-4500-000		2	CABLE, EARTH		
28	XH9-0135-000		2	FOOT, RUBBER		
29	FC6-6707-000		4	PLATE, JOINT		
501	XB4-5401-007		22	SCREW, M4X10		
502	XB1-2400-607		2	SCREW, CROSS-RECESS, FCH		

FIGURE & KEY NO.	PARTS NUMBER	R A N K	Q'TY	DESCRIPTION	SERIAL NUMBER/ REMARKS	S V C
503	XD1-1106-235		8	WASHER,COP		
504	XB2-7300-607		7	SCREW, WWASHER, M3X6		
	FM2-4496-000		1	CABLE, FEEDER		
	FC6-6712-000		1	PLATE, EARTH		
	WE8-5648-000		1	CORE, SLEEVE FERRITE		

FIGURE 313
PAPER PICK-UP ASSEMBLY(iR2020/2020J)

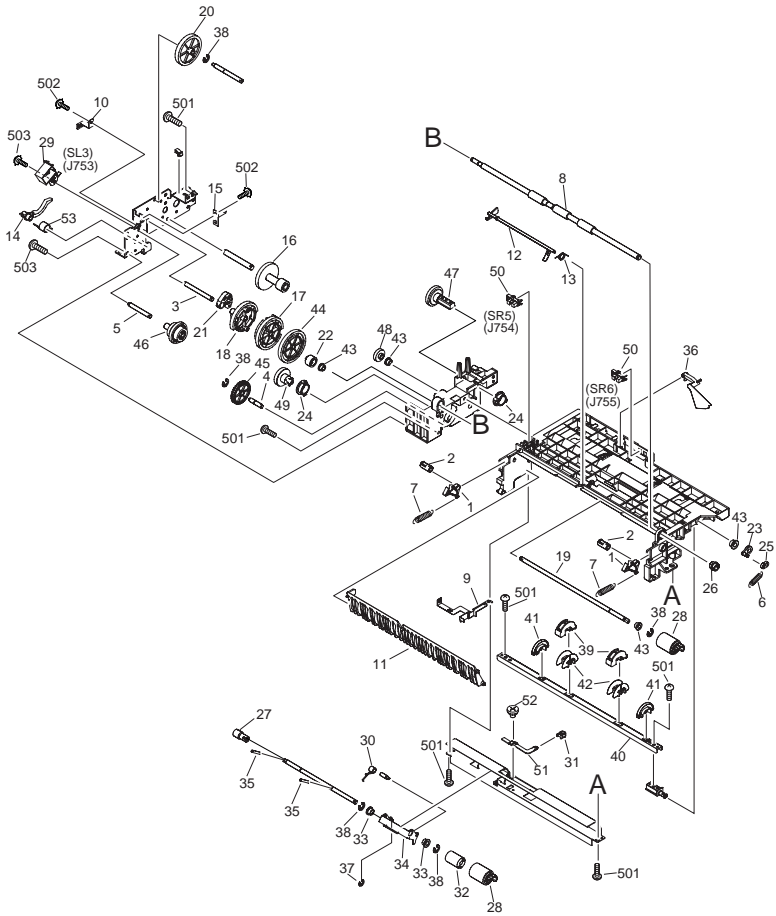
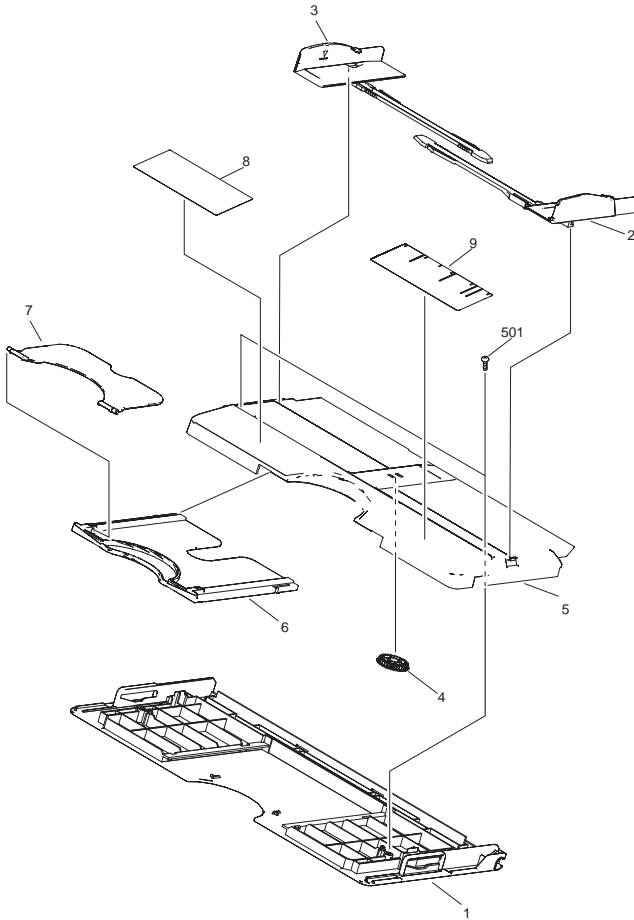


FIGURE & KEY NO.	PARTS NUMBER	R A N K	Q'TY	DESCRIPTION	SERIAL NUMBER/ REMARKS	S V C
Fig.313	FM2-4484-000		1	PAPER PICK-UP ASSEMBLY		
1	FB4-5672-000		2	PAWL, LOCK		
2	FB4-5673-000		2	SHAFT, LOCK		
3	FB4-6032-000		1	SHAFT, CLUCH		
4	FB4-6033-000		1	SHAFT, IDLER		
5	FB4-6034-000		1	SHAFT		
6	FB6-1550-000		1	SPRING, TENSION		
7	FB6-1551-000		2	SPRING, TENSION		
8	FB6-1613-000		1	ROLLER, VERTICAL PATH		
9	FB6-1614-000		1	PLATE, GROUNDING		
10	FB6-1615-000		1	PLATE, GROUNDING		
11	FB6-1616-000		1	GUIDE, VERTICAL PATH		
12	FB6-1623-000		1	ARM, FEED SENSOR		
13	FB6-1624-000		1	SPRING, TORSION		
14	FB6-1626-000		1	LEVER, COUPLING		
15	FB6-1628-000		1	PLATE, GROUNDING		
16	FB6-1632-000		1	GEAR, 16T/34T		
17	FB6-1633-000		1	GEAR, 27T/50T		
18	FB6-1634-000		1	GEAR, 29T		
19	FB6-1635-000		1	SHAFT		
20	FB6-1636-000		1	GEAR, 39T		
21	FB6-1660-000		1	CAM		
22	FB6-1905-000		1	GEAR, 14T		
23	FB6-1909-000		1	BUSHING		
24	FC6-4304-000		2	BUSHING, ROLLER, PICK-UP		
25	FC6-4352-000		1	COLLAR, SPRING		
26	FC6-4355-000		1	BUSHING		
27	FC6-4358-000		1	JOINT, RETARD		
28	FF6-1621-000		2	ROLLER, SEPARATION		
29	FK2-1104-000		1	SOLENOID	SL3 J753	
30	FB6-1902-000		1	SPRING, TORSION		
31	FB6-1908-000		1	CAP		

FIGURE & KEY NO.	PARTS NUMBER	R A N K	Q'TY	DESCRIPTION	SERIAL NUMBER/ REMARKS	S V C
32	FC6-4290-000		1	LIMITER, TORQUE		
33	FB6-1541-000		2	BUSHING		
34	FF6-1610-000		1	HOLDER, SEPARATION ROLLER		
35	XD3-1200-122		2	SPRING PIN		
36	FC6-4350-000		1	ARM, DETECTION, PAPER		
37	XD9-0133-000		1	RING, E		
38	XD9-0136-000		5	RING, E		
39	FB4-9817-030		2	ROLLER, PICK-UP		
40	FB6-1631-030		1	SHAFT, PICK-UP ROLLER		
41	FC6-4356-000		2	ROLLER, LOOP		
42	FE5-4048-000		2	BLOCK, PICK-UP ROLLER ADPTER		
43	FS1-1205-000		4	BUSHING		
44	FS7-0225-000		1	GEAR, 53T		
45	FS7-0226-000		1	GEAR, 36T		
46	FS7-0227-000		1	GEAR, 21T/33T/22T		
47	FS7-0228-000		1	GEAR, 31T		
48	FS7-0229-000		1	GEAR, 18T		
49	FS7-0230-000		1	GEAR, 27T		
50	WG8-5624-000		2	IC, PHOTO INTERRUPTER	SR5,6 J754,755	
51	FC6-4288-000		1	LEVER, PRESSURE		
52	FS5-9714-000		1	SCREW, STEPPED, M3		
53	FU6-2175-000		1	SPRING, TORSION		
501	XB4-7401-009		10	SCREW, TAPPING, PAN HEAD, M4X10		
502	XB2-7300-607		2	SCREW, W/WASHER, M3X6		
503	XB6-7300-609		1	SCREW, MACH, PAN HEAD, M3X8		

FIGURE 315 MULTI FEED TRAY ASSEMBLY



NOTE1:This assembly is included in the assembly shown in Figure 140.

NOTE2:This assembly does not include the part shown with key No.9.

注1:このユニットはFigure 140のユニットに含まれます。

注2:このユニットにKey No.9の部品は含まれません。

FIGURE & KEY NO.	PARTS NUMBER	R A N K	Q'TY	DESCRIPTION	SERIAL NUMBER/ REMARKS	S V C
Fig.315	FM2-3294-000		1	MULTI FEED TRAY ASSY	SEE NOTE1	
1	FC6-4215-000		1	COVER, MULTI FEED		
2	FC6-4218-000		1	PLATE, LIMIT, FRONT		
3	FC6-4219-000		1	PLATE, LIMIT, REAR		
4	FC6-4220-000		1	GEAR, PINION		
5	FC6-4221-000		1	TRAY, MULTI FEED		
6	FC6-4222-000		1	TRAY, MULTI FEED, SUB (L)		
7	FC6-4223-000		1	TRAY, MULTI FEED, SUB (S)		
8	FU5-8605-000		1	LABEL, SET		
9	FU5-8589-000		1	LABEL, SIZE INSTRUCTION	KRE/KRC/KQW/KRR SEE NOTE2	
9	FU5-8604-000		1	LABEL, SIZE INSTRUCTION	KRK/KQZ/KRT/KRN SEE NOTE2	
501	XB4-5401-005		2	SCREW, P, M4X10		

FIGURE 350 PAPER DELIVERY ASSEMBLY

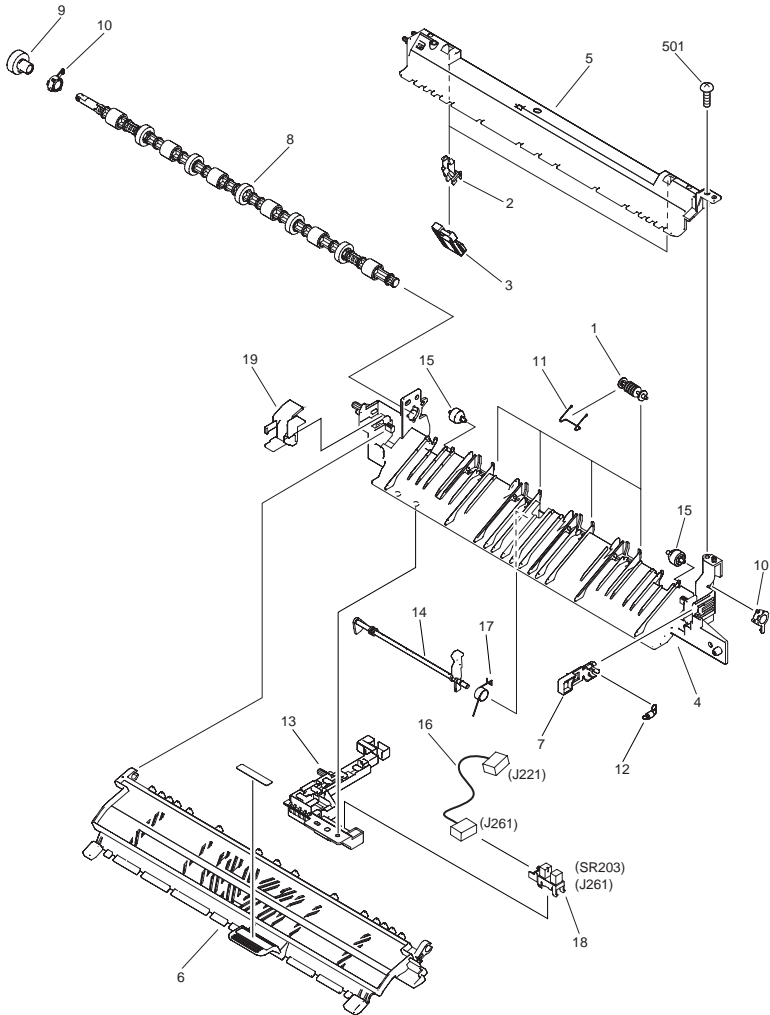


FIGURE & KEY NO.	PARTS NUMBER	R A N K	Q'TY	DESCRIPTION	SERIAL NUMBER/ REMARKS	S V C
Fig.350	FM2-3351-000		1	PAPER DELIVERY ASSEMBLY		
1	FC5-4847-000		4	ROLLER, FEEDING		
2	FC6-4438-000		2	HOLDER, RETAINING PLATE		
3	FC6-4477-000		2	PLATE,DELIVERY RETAINING		
4	FC6-4470-000		1	GUIDE, DELIVERY, LOWER		
5	FC6-4474-000		1	GUIDE, DELIVERY, UPPER		
6	FC6-4475-000		1	GUIDE, DELIVERY		
7	FC6-4502-000		1	STOPPER, DELIVERY GUIDE		
8	FL2-3220-000		1	ROLLER, DELIVERY		
9	FU5-0732-000		1	GEAR, 17T		
10	FU5-1522-000		2	BUSHING, DELIVERY ROLLER		
11	FU6-2189-000		4	SPRING, TORSION		
12	FU6-2206-000		1	SPRING, TENSION		
13	FC6-4465-000		1	HOLDER, SENSOR	SR203	
14	FC6-4473-000		1	LEVER, DELIVERY SENSOR		
15	FC6-4484-000		2	ROLLER		
16	FM2-4789-000		1	CABLE, SENSOR, DELIVERY	J221,261	
17	FU6-2210-000		1	SPRING, TORSION		
18	WG8-5696-000		1	PHOTO INTERRUPTER, TLP1243	SR203 J261	
19	FC6-4504-000		1	COVER, GEAR		
501	XB4-7401-209		1	SCREW,TAPPING,PAN HEAD,M4X10		

FIGURE 640
DEVELOPING ASSEMBLY

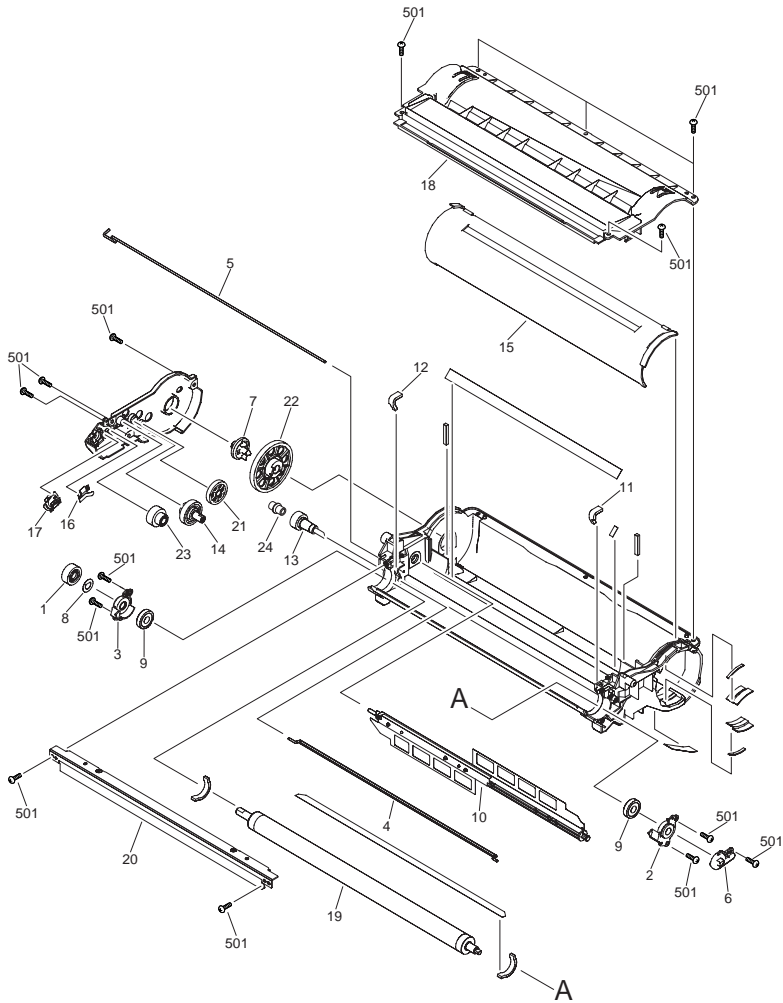


FIGURE & KEY NO.	PARTS NUMBER	R A N K	Q'TY	DESCRIPTION	SERIAL NUMBER/ REMARKS	S V C
Fig.640	FM2-3286-000		1	DEVELOPING ASSEMBLY		
1	FU6-0765-000		1	GEAR, 32T		
2	FC6-4164-000		1	BUSHING, SLEEVE, FRONT		
3	FC6-4165-000		1	BUSHING, SLEEVE, REAR		
4	FC6-4166-000		1	ROD, STEERING		
5	FC6-4167-000		1	ROD, DETECTION		
6	FC6-4168-000		1	GUIDE, POSITIONING, MAGNET		
7	FC6-4169-000		1	COUPLER		
8	FC6-4170-000		1	PLATE, TERMINAL, SLEEVE		
9	FC6-4171-000		2	ROLLER		
10	FL2-3304-000		1	ROD, STEERING		
11	FC6-4176-000		1	PAD, SIDE, FRONT		
12	FC6-4177-000		1	PAD, SIDE, REAR		
13	FL2-3193-000		1	GEAR ASSEMBLY		
14	FL2-3194-000		1	GEAR ASSEMBLY		
15	FL2-3197-000		1	SHUTTER ASSEMBLY		
16	FC6-4163-000		1	PLATE, DETECTION		
17	FC6-4202-000		1	PLATE, TERMINAL		
18	FM2-3287-000		1	LID, DEVELOPING		
19	FM2-3288-000		1	DEVELOPING SLEEVE UNIT		
20	FM2-3289-000		1	DEVELOPING BLADE UNIT		
21	FU6-0762-000		1	GEAR, 31T		
22	FU6-0763-000		1	GEAR, 70T		
23	FU6-0764-000		1	GEAR, 31T/19T		
24	FB6-6896-000		1	CAP, DEVELOPPING		
501	XB4-7300-807		15	SCREW, TAP TIGHT, BINDING HEAD		

FIGURE & KEY NO.	PARTS NUMBER	R A N K	Q'TY	DESCRIPTION	SERIAL NUMBER/ REMARKS	S V C
Fig.810	FM2-3345-000		1	FIXING ASSEMBLY	120V	
Fig.810	FM2-3352-000		1	FIXING ASSEMBLY	230V	
1	FC5-4860-000		1	RUBBER RING,CONDUCTIVE		
2	FC5-5297-000		2	BUSHING		
3	FC6-4452-000		1	ROLLER, DELIVERY, MIDDLE		
4	FC6-4453-000		1	ROLLER, PRESSURE		
5	FC6-4462-000		1	BLOCK, PRESSURE RELEASE (F)		
6	FC6-4463-000		1	BLOCK, PRESSURE RELEASE (R)		
7	FC6-4479-000		1	COVER, FIXING, LEFT		
8	FC6-4480-000		1	GUIDE, FIXING CABLE (F)		
9	FC6-4481-000		1	GUIDE, FIXING CABLE (R)		
10	FC6-4492-000		1	GUIDE, FILM SENSOR CABLE		
11	FC6-4501-000		1	COVER, FIXING GEAR		
12	FG3-3501-000		1	FIXING FILM SENSOR ASS'Y		
13	FM2-3346-000		1	FIXING FILM ASSEMBLY	120V	
13	FM2-3353-000		1	FIXING FILM ASSEMBLY	230V	
14	XD9-0134-000		1	RING, E		
15	XA9-0702-000		5	SCREW, W/WASHER, M3X6		
16	FC6-4449-000		1	GUIDE, DELIVERY, LOWER		
17	FC6-4450-000		17	LEVER, DELIVERY SENSOR		
18	FU5-2470-000		1	SPRING, TORSION		
19	FM2-3348-000		1	TERMINAL HOLDER ASSEMBLY		
20	FM2-3349-000		1	FIXING INLET GUIDE UNIT		
21	FC6-4448-000		1	GUIDE, DELIVERY, UPPER		
22	FC5-6805-000		6	ROLLER, DELIVERY, MIDDLE		
23	FU6-2188-000		6	SPRINGM, TORSION		
24	FM2-4405-000		1	CABLE, FILM BIAS	FT1,2	
25	FM2-4411-000		1	CABLE, FIXING SENSOR	J252L,253,503	
26	FU5-1519-000		1	BUSHING		
27	FU5-1520-000		1	BUSHING		
28	FU5-8575-000		1	LABEL, WARNING, HIGH TEMP.		
29	FU5-8576-000		1	LABEL, DRUM CAUTION		

FIGURE & KEY NO.	PARTS NUMBER	RANK	Q'TY	DESCRIPTION	SERIAL NUMBER/REMARKS	SVC
30	FU6-0799-000		1	GEAR, 27T	SR202 J253	
31	FU6-0800-000		1	GEAR, 17T		
32	FU6-0801-000		1	GEAR, 17T		
33	FU6-2185-000		2	SPRING, TENSION		
34	FU6-2186-000		2	SPRING, COMPRESSION		
35	WG8-5696-000		1	PHOTO INTERRUPTER, TLP1243		
36	FA3-8727-000		1	RING,E		
37	XD9-0136-000		2	RING, E		
38	FC6-4458-000		1	MOUNT, ROWEL		
39	FB6-7091-000		5	ROWEL		
40	FU6-2208-000		1	SPRING, TORSION		
41	FC6-4454-000		1	BLOCK, LEVER RETURN		
42	FC6-4503-000		1	LEVER, RELEASE, FRONT		
43	FC6-4467-000		2	GUIDDE, PAPER LIMIT		
44	FC7-1771-000		2	CAP, PRESSURE		

FIGURE 900 IMAGE PROCESSOR PCB ASSEMBLY

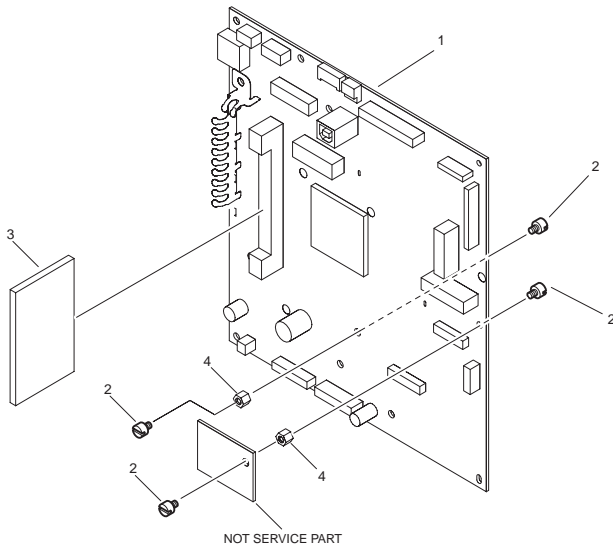


FIGURE & KEY NO.	PARTS NUMBER	RANK	Q'TY	DESCRIPTION	SERIAL NUMBER/REMARKS	SVC
Fig.900	NPN		RF	COUNTER PCB ASSEMBLY		
1	FM2-4054-000		1	IMAGE PROCESSOR PCB ASS'Y	iR2016/2020	
1	FM2-4053-000		1	IMAGE PROCESSOR PCB ASS'Y	iR2016J/2020J	
2	FU5-9340-000		4	SCREW, STEPPED, M3X4		
3	FM2-4055-000		1	DDR MODULE PCB ASS'Y		
4	VT2-5177-005		2	SPACER, METAL		
IC1	HK1-0511-000		1	IC,ASIC UPD800009S1-011-F6-A		
IC140	FK2-0949-000		1	IC, UPD65942GC-Y24, GATE ARRAY		
BAT951	WK1-5134-000		1	BATTERY, LITHIUM, CR2032THJ6		

FIGURE 930
HVT PCB ASSEMBLY

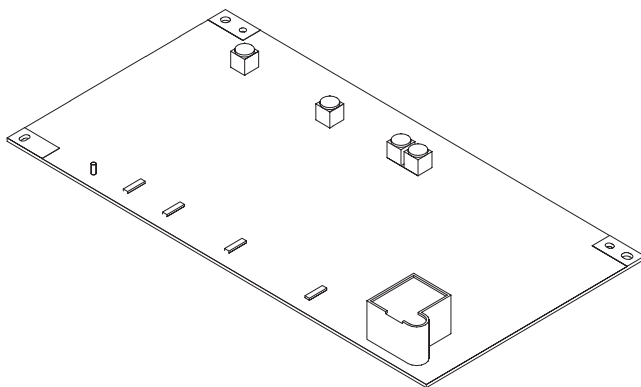


FIGURE & KEY NO.	PARTS NUMBER	RANK	Q'TY	DESCRIPTION	SERIAL NUMBER/REMARKS	SVC
Fig.930	FM2-4018-000		1	HVT PCB ASSEMBLY		
R140	FK2-1135-000		1	RESISTOR		
R141	FK2-1136-000		1	RESISTOR		
R153	FK2-1134-000		1	RESISTOR		
T1	FH3-5238-000		1	TRANSFORMER		
T2	FH3-5239-000		1	TRANSFORMER		
T3	FH3-5235-000		1	TRANSFORMER,INVERTER		
T4	FH3-5240-000		3	TRANSFORMER	T4,5,6	
T7	FH3-5257-000		1	TRANSFORMER, HIGH VOLTAGE		

Prepared by
OIP HFE Promotion Center
CANON INC.

Canon